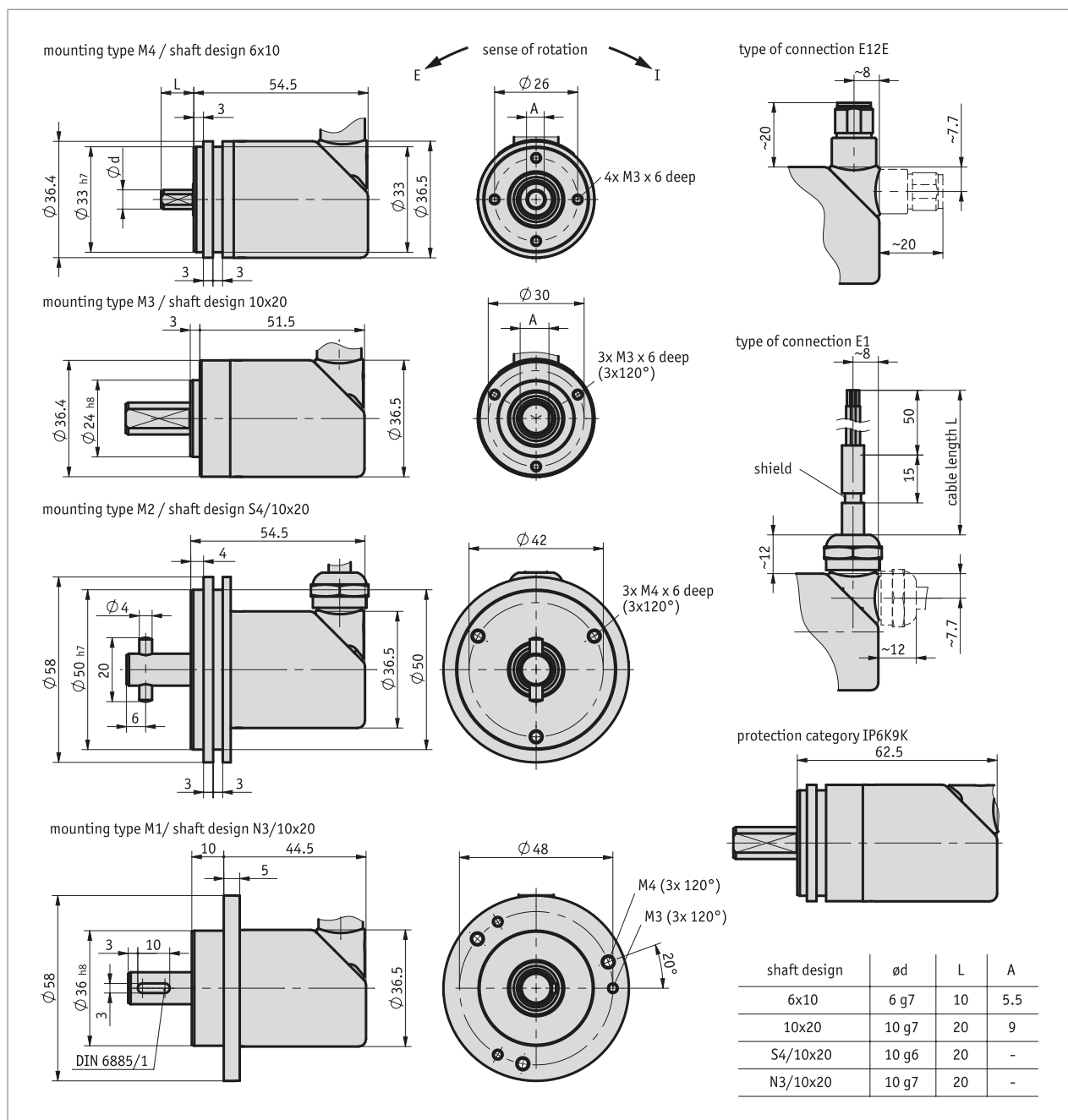


### Profile

- Smallest safety multiturn rotary encoder for mobile machines
- Single turn or multiturn variant available
- SIL2 (IEC 61508) PLd (DIN EN ISO 13849) certified (in preparation)
- E1 approval by the German Federal Motor Transport Authority (KBA) pending
- Protection class up to IP6K9K
- with PURE.MOBILE technology



### Mechanical data

Feature	Technical data	Additional information
shaft	rustproof stainless steel	
Flange	aluminum	
Housing	rustproof stainless steel	
Speed	≤3000 min <sup>-1</sup>	with protection classes IP67 and IP6K9K
	≤6000 min <sup>-1</sup>	with protection class IP65
Moment of inertia	3.5 gcm <sup>2</sup>	with protection class IP67
	4 gcm <sup>2</sup>	with protection class IP6K9K
Starting torque	≤2 Ncm at 20 °C	
Shaft load rating	≤60 N	radial
	≤40 N	axial
	≤200 N with protection class IP6K9K	radial
	≤200 N with protection class IP6K9K	axial

### Electrical data

Feature	Technical data	Additional information
Operating voltage	8 ... 36 V DC	reverse polarity protection
Power input	≤1 W at 36 V	without load
Parameter storage	10 <sup>5</sup> cycles	also applies to calibration operations
Status display	1x two-color LEDs (red/green)	Device/CAN status
Power rating	±36 V	CAN interface
Interface	according to ISO 11898-1, not electrically isolated	CANopen
	according to ISO 11898-1, not electrically isolated	CANopen Safety
	according to ISO 11898-1, not electrically isolated	SAE J1939 Safety
Address	1 ... 127	CANopen, CANopen Safety
	128 ... 238	SAE J1939 Safety
Baud rate	20 kbit/s	CANopen Safety
	50 kbit/s	CANopen Safety
	125 kbit/s	CANopen Safety
	250 kbit/s	CANopen Safety
	500 kbit/s	CANopen Safety
	800 kbit/s	CANopen Safety
Cycle time	1 Mbit/s	CANopen Safety
	<10 ms	
Starting time	<1000 ms	
Type of connection	1x M12-plug connector (A-coded)	5-pin, 1x pin (E12E connection type)
	open cable end	Stranded wire cross-section 0.5 mm <sup>2</sup> (E1 connection type)

### System data

Feature	Technical data	Additional information
Scanning	magnetic	
Resolution	14 bit	singleturn, 16384 steps/revolution
Measuring range	1 rotation(s)	singelturm
	4096 rotation(s)	12 bit
	65536 rotation(s)	16 bit

### Ambient conditions

Feature	Technical data	Additional information
Ambient temperature	-40 ... 85 °C	
Storage temperature	-40 ... 85 °C	
Relative humidity	100 %	condensation admissible
Protection category	IP65	EN 60529
	IP67, IP6K9K	EN 60529, ISO 20653, according to assembly instructions and with suitable mating connector
	IP6K9K	ISO 20653
Salt spray test	severity level 4	EN 60068-2-52, installed according to assembly instructions and with suitable mating connector

### pin assignment

#### ■ E12E

Signal	PIN
nc	1
+UB	2
GND	3
CAN_H	4
CAN_L	5

#### ■ E1

Signal	Cable color
nc	white
+UB	brown
GND	green
CAN_H	yellow
CAN_L	gray

### Order

#### ■ Ordering table

Feature	Ordering data	Spezifikation	Additional information
number of revolutions	<b>A</b> 1	singleturn	
	4096	12 bit	
	65536	16 bit	
shaft diameter x length	<b>B</b> 10x20	ø10 mm x 20 mm	
	6x10	ø6 mm x 10 mm	
	N3/10x20	ø10 mm x 20 mm, feather key	
	S4/10x20	ø10 mm x 20 mm, grooved pin	
Mounting type	<b>C</b> M1	clamping flange joint ø58 mm	
	M2	servo flange ø58 mm	
	M3	clamping flange joint ø36 mm	
	M4	servo flange ø36 mm	
Protection category	<b>D</b> IP65	IP65	
	IP67	IP67	
	IP6K9K	IP6K9K	only with shaft diameter 10 and mounting type M4
position of electrical connection	<b>E</b> A	axial	
	R	radial	
Type of connection	<b>F</b> E1	open cable end	
	E12E	Bus IN	
Cable length	<b>G</b> OK	without cable	only with connection type E12E
	...	01.0, 02.0, 03.0, 05.0, 10.0 in m	only with connection type E1

#### ■ Order key

WV3600MR - CANs - 16384 -  -  -  -  -  -  -  -

A
B
C
D
E
F
G

 <b>Scope of delivery:</b> WV3600MR, Quick Start Guide	
 <b>Accessories you can find:</b> Cable extension KV05S0 Overview, Mating connector Mating connector, 5-pole, angle socket Mating connector, 5-pole, socket	www.siko-global.com www.siko-global.com Order key 83006 Order key 84109