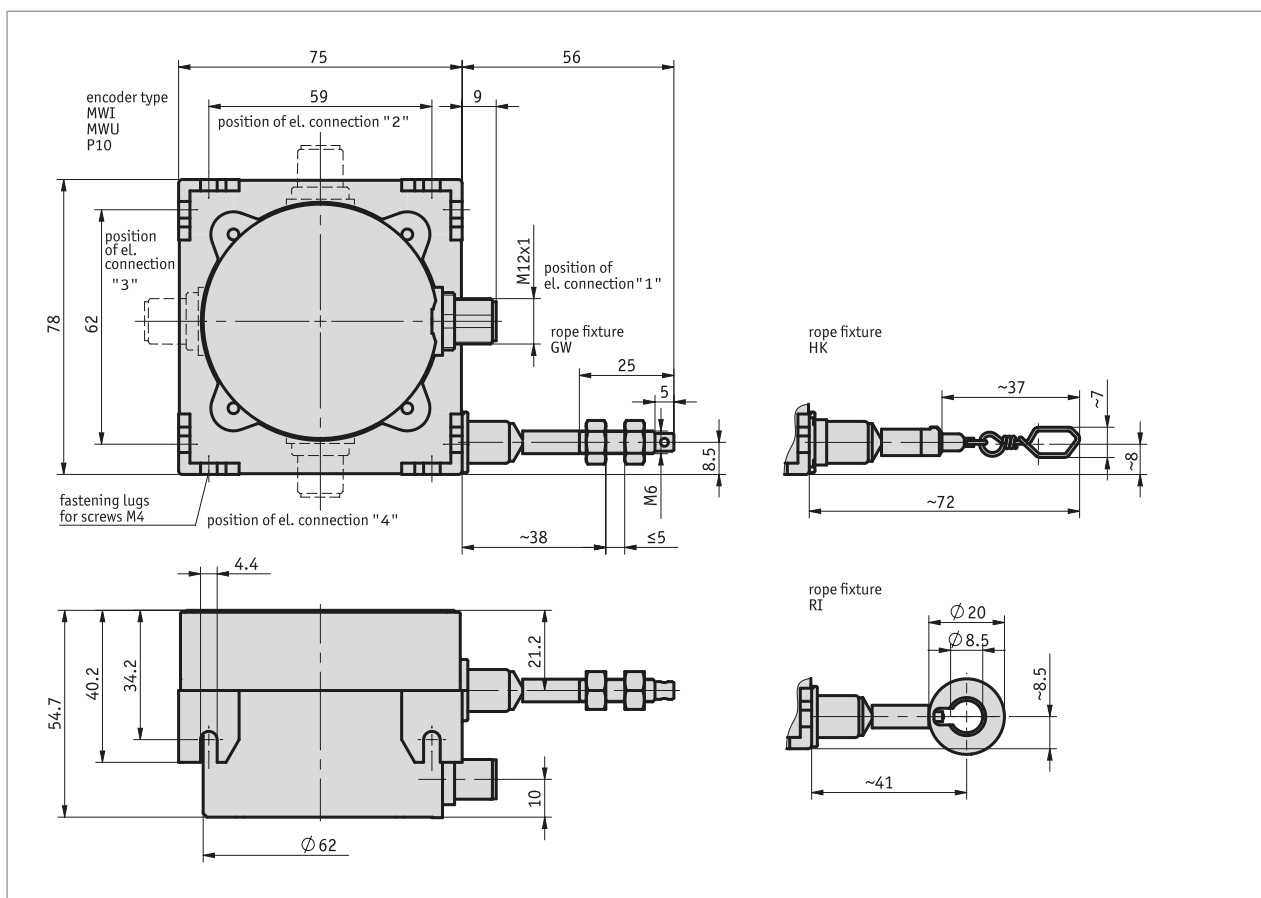
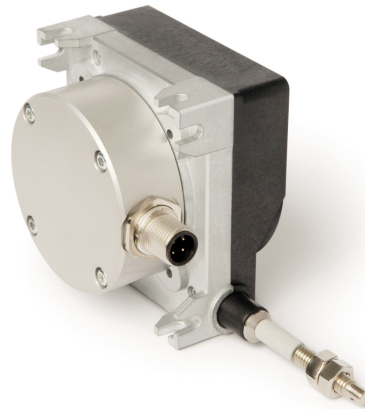


Profile

- Compact, robust design
- Variable mounting options
- Measuring lengths up to 3000 mm
- Potentiometer, voltage or power output
- Housing made of zinc die-cast and plastic
- Lockable ventilation holes against condensation
- High tightness at the rope outlet
- M12 plug connection

ANALOG



Mechanical data

Feature	Technical data	Additional information
Housing	zinc die-cast, plastic	
Wire design	Ø0.61 mm Ø0.6 mm	rustproof stainless steel, plastic-coated rustproof stainless steel
Extension force	≥9 N	
Cable length	≤30 m ≤20 m	P10, MWI encoder types MWU encoder type
Weight	~0.5 kg	

Electrical data

Encoder potentiometer

Feature	Technical data	Additional information
Power rating	2 W at 70 °C	
resistance	10 kΩ	
Resistance tolerance	±5 %	
Linearity tolerance	±0.25 %	
Type of connection	M12 plug connector (A-coded)	4-pole, 1x pin

Transducer, power output

Feature	Technical data	Additional information
Operating voltage	7 ... 30 V DC at load 0 Ω	
	12 ... 30 V DC at load 250 Ω	
	17 ... 30 at load 500 Ω	
Output current	4 ... 20 mA	
Type of connection	M12 plug connector (A-coded)	4-pole, 1x pin

Transducer, voltage output

Feature	Technical data	Additional information
Operating voltage	15 ... 28 V DC at 36 mA without load	
Output voltage	0 ... 10 V DC	$I_{Load} \leq 10 \text{ mA}$
resistance	2 ... 10 kΩ	against GND
Load	≤15 mA	
Type of connection	M12 plug connector (A-coded)	4-pole, 1x pin

* **Transducers** enable optimal adaptation of output current or output voltage to the measuring range. The measuring transformer is factory preset so that an output signal of 4 ... 20 mA (MWI) or 0 ... 10 V DC (MWU) is available between the start and end points of the measuring range.

System data

Feature	Technical data	Additional information
Repeat accuracy	±0.15 mm	per direction of approach
Measuring range	≤3000 mm	
Travel speed	≤800 mm/s	

Ambient conditions

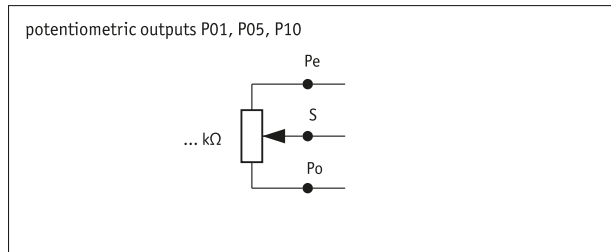
Feature	Technical data	Additional information
Ambient temperature	-40 ... 80 °C	
Relative humidity		condensation inadmissible
Protection category	IP65 (encoder part)	EN 60529

pin assignment

■ Potentiometric outputs P10

Signal	PIN
Po	1
Pe	2
S	3
	4

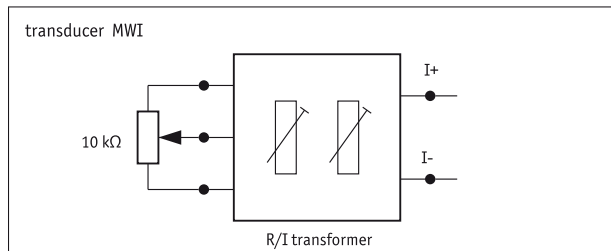
■ Potentiometric outputs P10



■ MWI transducer

Signal	PIN
I+	1
I-	2
nc	3
nc	4

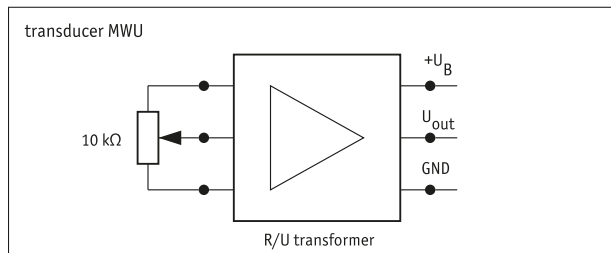
■ MWI transducer



■ MWU transducer

Signal	PIN
+24 V DC	1
GND	2
Uout	3
nc	4

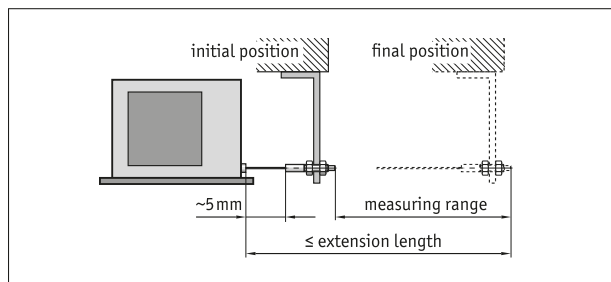
■ MWU transducer



Hint for mounting

When securing the wire it must be ensured that the wire is straight and vertical in relation to the wire outlet.

Recommendation: Only select the starting position after an unwound length of approx. 5 mm. This prevents the wire hitting the end stop when it is rewound.



Symbolic representation

Order

■ Ordering table

Feature	Ordering data	Spezifikation	Additional information
Measuring range	A ...	2000, 2500, 3000 in mm	
rope fixture	B GW HK RI	wire suspension with thread wire suspension with hook wire suspension with ring	

Feature	Ordering data	Spezifikation	Additional information
wire design	C	S	stainless steel wire
		SK	steel wire, plastic coated
encoder type	D	MWI	transducer, current
		MWU	transducer, voltage
		P10	potentiometer
position of electrical connection	E	1	direction of wire outlet
		2	upward
		3	opposite the wire outlet
		4	downward

Order key

SG30 - - - - -

A B C D E



Scope of delivery:
SG30



Accessories you can find:

Guide roller UR
Wire extension piece SV
Overview Mating connector
Mating connector, P10, MWI, MWU, 4-pole, socket
Mating connector, P10, MWI, MWU, 4-pole, socket

www.siko-global.com
www.siko-global.com
www.siko-global.com
Order key 83419
Order key 83526