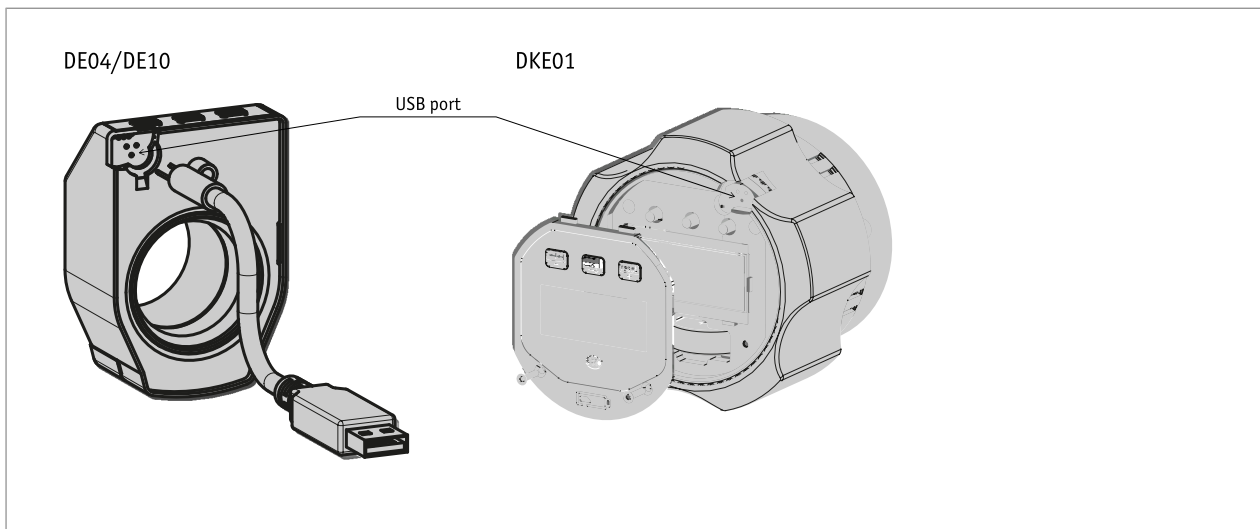
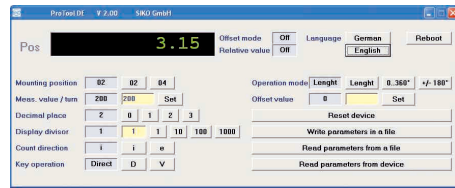


Profile

- Parameters can be freely programmed
- Toggle mode between angle and linear measurement
- With USB connection cable



Order

- Order key

ProTool DE