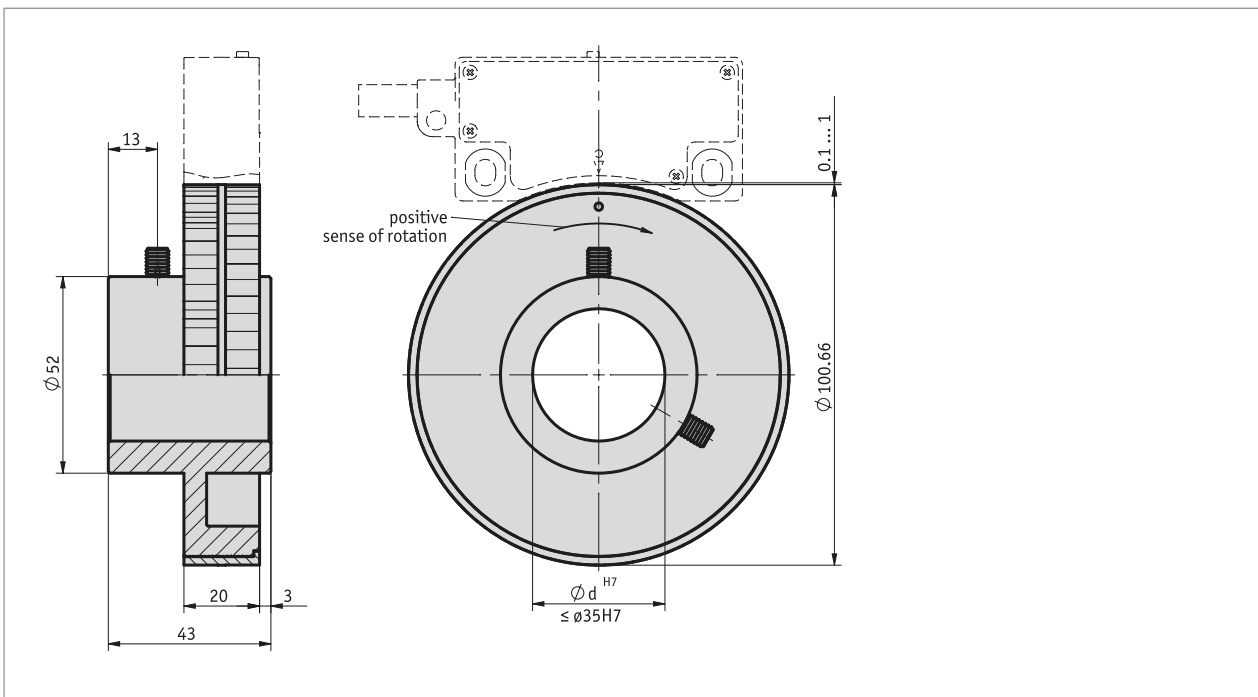
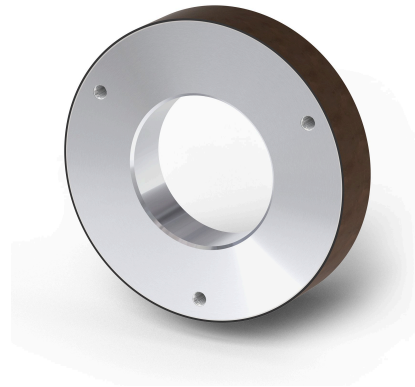


Profile

- Easy hollow-shaft mounting
- external diameter 100.66 mm



Mechanical data

Feature	Technical data	Additional information
Flange	aluminum	
Speed	≤6000 min ⁻¹	

System data

Feature	Technical data	Additional information
Pole length	5 mm	pole number 64
System accuracy	±0.1 ° at T ₀ = 20 ° C	with run-out error of 50 μm
Measuring range	360 °	

Ambient conditions

Feature	Technical data	Additional information
Ambient temperature	-20 ... 80 °C	
Storage temperature	-20 ... 80 °C	
Relative humidity	100 %	condensation admissible

Order

■ Ordering table

Feature	Ordering data	Spezifikation	Additional information
bore/diameter	A 20	ø20 mm others on request	

■ Order key

MRAC506 -

 Scope of delivery: MRAC506
--