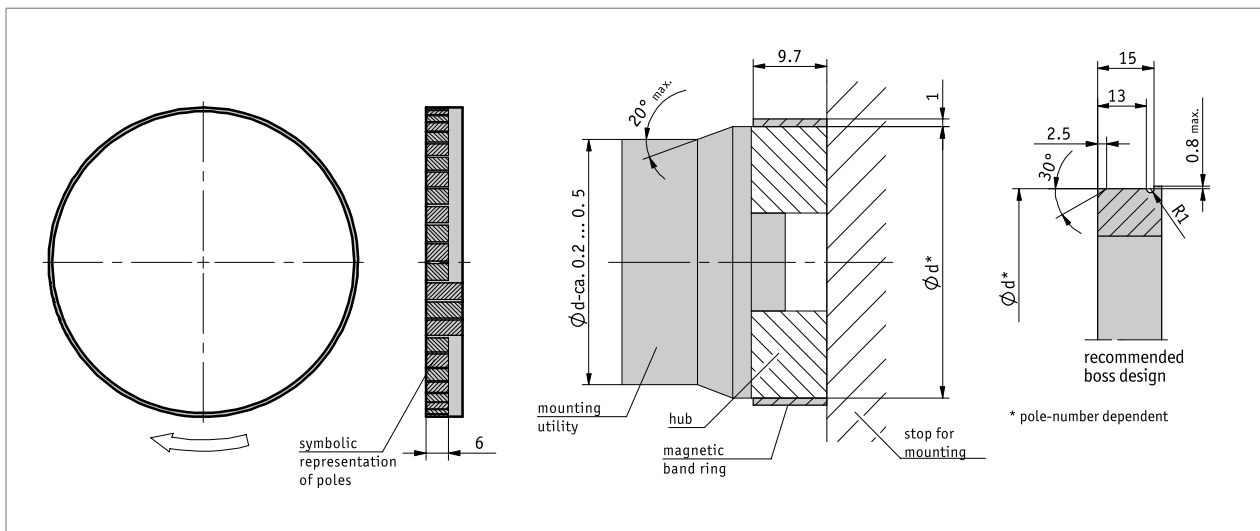


Magnetic band ring MBR200

Incremental, flexible magnetic tape ring for self-assembly, pole length 2 mm

Profile

- With reference point as an option
- Easy mounting on self-made carrier



Mechanical data

Feature	Technical data	Additional information
Band width	9.7 mm	
Band thickness	1 mm	without cover strip or adhesive carrier tape
Mounting type	adhesive connection	recommended two-component adhesive: Uhu Plus 300 Endfest

■ Dimensions

Pole	50	64	100	230
Diameter d [mm]	30.7 ±0.03	39.6 ±0.03	62.6 ±0.03	144.7 ±0.03
Diameter with MBR200 [mm]	32.7 ±0.03	41.6 ±0.03	64.6 ±0.03	146.7 ±0.03
Circumference U with MBR200 [mm]	102.73	130.69	202.95	460.87
Speed [rpm]	≤14560	≤11450	≤7380	≤3250

System data

Feature	Technical data	Additional information
Pole length	2 mm	
Measuring range	360 °	

Magnetic band ring MBR200

Incremental, flexible magnetic tape ring for self-assembly, pole length 2 mm

■ pulses/revolution

"Pole number"	50	64	100	230
Scaling factor of sensor	1000	1280	2000	4600
	800	1024	1600	3680
	500	640	1000	2300
	400	512	800	1840
	250	320	500	1150
	200	256	400	920
	50	64	100	230

Table applies to the combination MBR200 with MSK210

Ambient conditions

Feature	Technical data	Additional information
Ambient temperature	-20 ... 70 °C	
Storage temperature	-20 ... 70 °C	
Relative humidity	100 %	condensation admissible

Order

■ Ordering table

Feature	Ordering data	Spezifikation	Additional information
"Pole number "	A 50	50 poles	
	64	64 poles	
	100	100 poles	
	230	230 poles	
		others on request	
reference point	B 0	without	
	M	with	

■ Order key

MBR200 - -
A B

 **Scope of delivery:**
MBR200, Installation Instructions