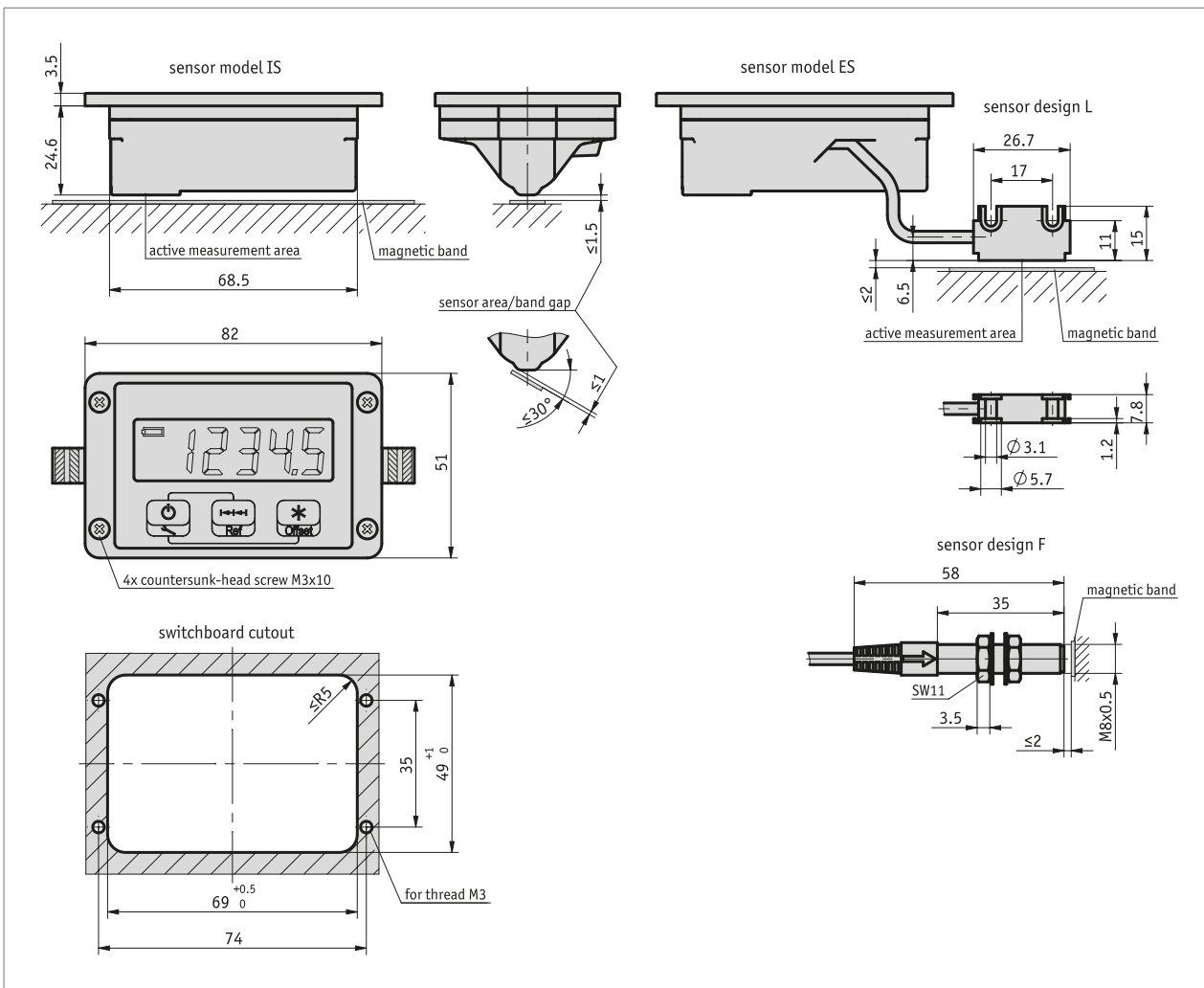


### Profile

- Display accuracy max. 0.01 mm
- Repeat accuracy 0.01 mm
- Low-power LCD with integrated sensor
- Supply via integrated battery with up to 10 years of service life
- Freely programmable directly via buttons on the device



### Mechanical data

Feature	Technical data	Additional information
Housing design	installation housing, zinc die-cast housing	Control panel excerpt 69 <sup>+0.5</sup> x 49 <sup>+1</sup>
Sensor/band reading distance	≤1.5 mm ≤2 mm	integrated sensor external sensor

### Electrical data

Feature	Technical data	Additional information
Operating voltage	3 V DC	internal battery
Display/display range	LCD, ~ 13 mm high -99999 ... 99999	decimal until 10 µm
Keys	3 keys, membrane keyboard	
Battery monitoring	~1.5 V DC	low-batt symbol

### System data


Feature	Technical data	Additional information
Resolution	0.01, 0.05, 0.1, 1 mm 0.001, 0.01 in	programmable angle display
System accuracy	$\pm(0.05 + 0.01 \times L)$ mm, L in m at $T_U = 20^\circ \text{C}$	
Repeat accuracy	$\pm 0.01$ mm	$\pm 1$ digit
Travel speed	$\leq 10$ m/s	

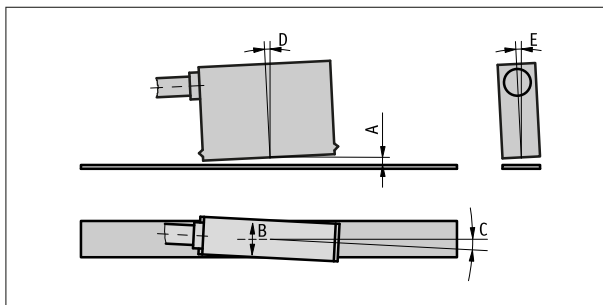
### Ambient conditions

Feature	Technical data	Additional information
Ambient temperature	0 ... 60 °C	
Storage temperature	-20 ... 70 °C	
Relative humidity	$\leq 95\%$	condensation inadmissible
EMC	EN 61000-6-2 EN 61326-1	interference resistance / immission emitted interference / emission class B
Protection category	IP20 whole device IP60 display side	EN 60529 EN 60529

### Hint for mounting

Sensor design	ES
A, Sensor/tape reading distance	$\leq 2$ mm
B, Lateral offset	$\pm 2$ mm
C, Alignment error	$\pm 3^\circ$
D, Longitudinal inclination	$\pm 1^\circ$
E, Lateral inclination	$\pm 3^\circ$

 The connection must not be changed (e.g., different cable, cable length ...)



Symbolic representation

### Order

#### ■ Ordering information

One or more system components are required:

Magnetic tape MB500/1

[www.siko-global.com](http://www.siko-global.com)

#### ■ Ordering table

Feature	Ordering data	Spezifikation	Additional information
sensor model	A	IS	integrated sensor
		ES	external sensor
sensor design	B		no information required
		L	L design
		F	F design
sensor cable length	C	...	00.1 ... 01.0 m, in intervals of 0.1 m
		...	01.5 ... 05.0 m, in intervals of 0.5 m

■ Order key

MA508/1 - EG -  -  -  - S - SF-88621

A
B
C

 **Scope of delivery:**  
MA508/1, Installation Instructions