
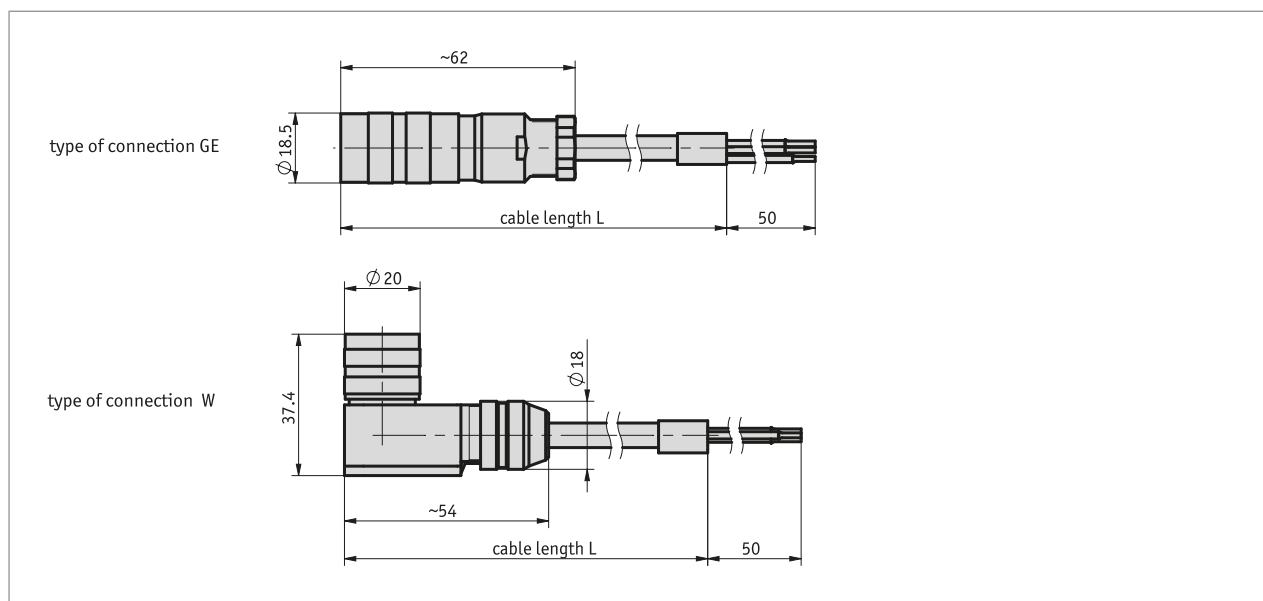
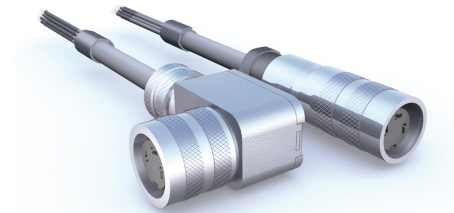


### Profile

- Ready-to-use cable connection
- Cable lengths up to 10 m
- Connection technology M16, 3-pole

 *Voltage drop should be envisaged with increasing cable length. This should be taken into account for the electrical design.*



### Mechanical data

Feature	Technical data	Additional information
Cable sheath	PUR	3x 0.75 mm <sup>2</sup> , ø7.5 mm

### Ambient conditions

Feature	Technical data	Additional information
Ambient temperature	-30 ... 100 °C	

### pin assignment

#### ■ KV03S1

"Cable number"	PIN
1 (black)	1
"2 (black)"	2
3 (black)	3

### Order

#### ■ Ordering table

Feature	Ordering data	Spezifikation	Additional information		
Type of connection	A <table border="1"><tr><td>GE</td></tr><tr><td>W</td></tr></table>	GE	W	straight connector right angle plug	
GE					
W					
Cable length	B ...	01.0 ... 10.0 m, in intervals of 1 m			

#### ■ Order key

KV03S1 - 

A

 - 

B



Scope of delivery:  
KV03S1