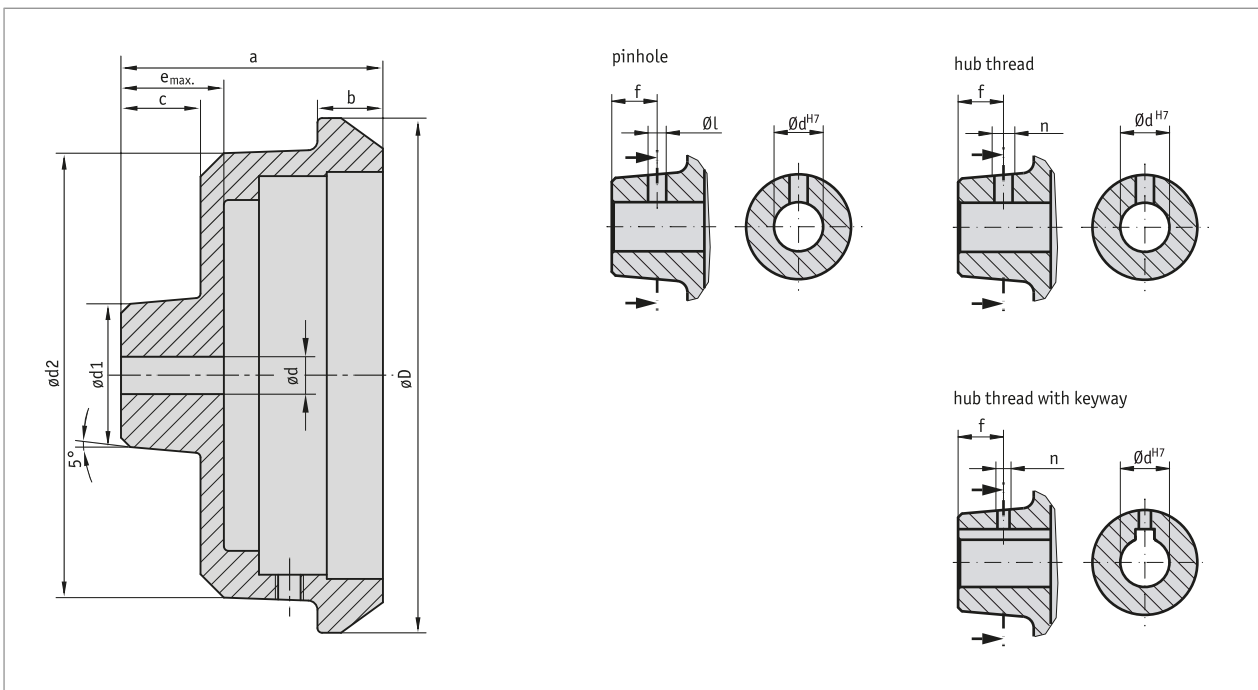


Profile

- Plastic-coated or bright-finished surface
- Various hub versions



Mechanical data

Feature	Technical data	Additional information
Material	aluminum	
Weight	0.2 kg	HST7

■ Dimensions

øD	ødv	ødx	ød1	ød2	a	b	c	e	Suitable for
78	5.8	20	32	60	50	20	15	20	S50/1

ødv = d pre-drilled; ødx = d max.

■ special processing

Handwheel type	HST7				
Bore dH7	6 ... 8	9, 10	11, 12	13 ... 16	17 ... 20
Groove width with keyway JS9		3	4	5	
Pin hole	3.8/10	3.8/10	3.8/10	4.8/10	4.8/10
Hub thread without keyway JS9	M4/10	M4/10	M4/10	M6/10	M6/10
Hub thread with keyway JS9		M3/10	M3/10	M4/10	

Highlights in orange are order features.

Order

■ Ordering table

Feature	Ordering data	Spezifikation	Additional information
surface	A	B	unpainted
		CS	plastic-coated, black matt
			others on request
Bore diameter	B	5.8	prebored
		...	06 ... 20 mm, in steps of 1 mm
			see Table of dimensions, maximum value ødx
feather key groove	C	OP	without feather key groove
		JS9	Light fit
		P9	Tight fit
Pinhole	D	OS	without pin hole
		...	Diameter "ø"/dimension "f" (e.g., 3.8/12)"
			others on request
hub thread	E	ONG	without hub thread
		...	Thread "n"/dimension "f" (e.g., M4/12)"
			others on request
tapered hub	F	OAN	without twisted hub
			others on request
position indicator	G	PM	Position indicator mounted
		PS	Separate position indicator
			separate ordering of a position indicator required!
			separate ordering of a position indicator required!

■ Order key



 **Scope of delivery:**
HST7

 **Accessories you can find:**
Analog position indicator S50/1

www.siko-global.com