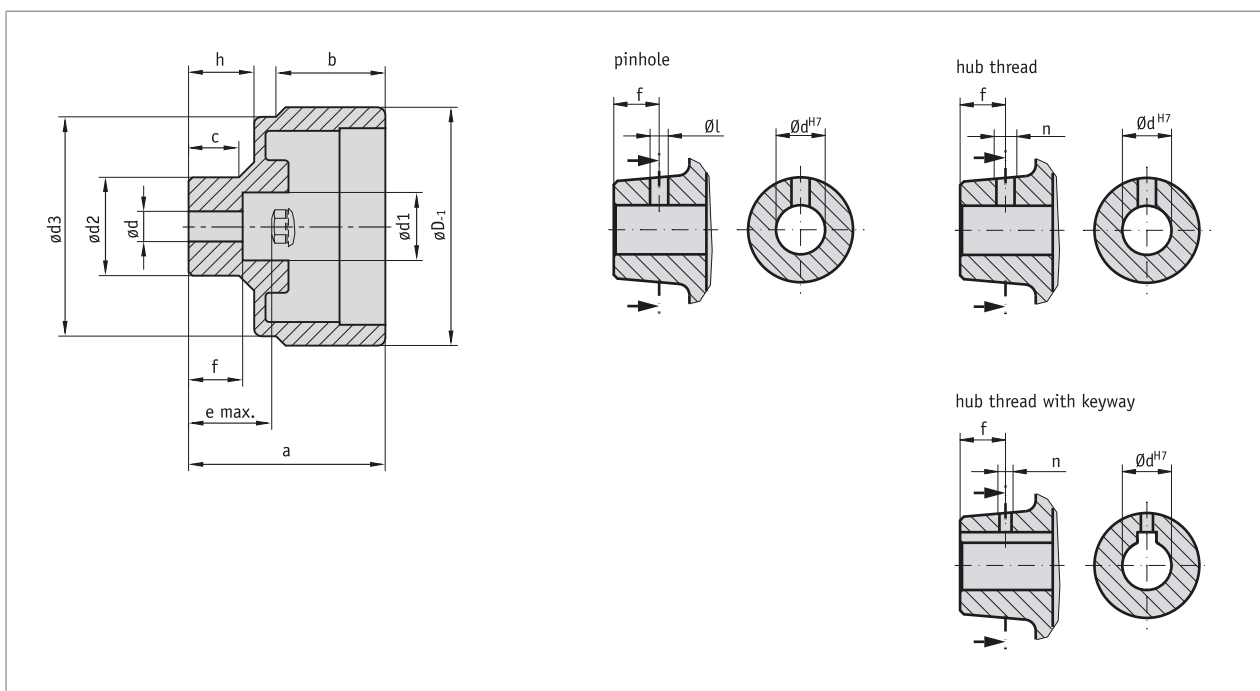


### Profile

- Low-cost and compact turning handle made of glass-fiber reinforced plastic
- Various sizes
- Surface with rounded edges avoids accumulation of dirt
- Hub made of plastic or metal
- Various hub versions



### Mechanical data

Feature	Technical data	Additional information
Material	plastic	
Weight	0.2 kg	

### ■ Dimensions

Hub	$\varnothing D$	$\varnothing dv$	$\varnothing dx$	$\varnothing d1$	$\varnothing d2$	$\varnothing d3$	a	b	c	e	f	h	Suitable for
plastic	98		6 ... 16 <sup>H9</sup>	16	30	93	56	31.5	18.7	22.8	20.7	18.7	S80/1; SZ80/1
metal	98	5.8	6 ... 16 <sup>H7</sup>	25.5	35	93	59	31.5	18.2	25.8	18	21.7	S80/1; SZ80/1

$\varnothing dv = d$  pre-drilled

### ■ special processing

Handwheel type	HG10			
Bore dH7	6 ... 8	9, 10	11, 12	13 ... 16
Groove width with keyway JS9		3	4	5
Pin hole	3.8/10	3.8/10	3.8/10	4.8/10
Hub thread without keyway JS9	M4/10	M4/10	M4/10	M6/10
Hub thread with keyway JS9		M3/10	M3/10	M4/10

\* Only possible with a metal hub; highlights in orange are order features.  
Highlights in orange are order features.

### Order

#### ■ Ordering table

Feature	Ordering data	Spezifikation	Additional information
hub material	A K VA	aluminum plastic stainless steel	
Bore diameter	B 5.8 ...	prebored 06 ... 16 mm, in steps of 1 mm	
feather key groove	C OP JS9 P9	without feather key groove Light fit Tight fit	"according to DIN 6885/1 T1, only with hub material "VA" or "A" "according to DIN 6885/1 T1, only with hub material "VA" or "A"
Pinhole	D OS ...	without pin hole "diameter "ø"/measure "f" (e.g. 3.8/12)" others on request	see Table of dimensions; value GFG
hub thread	E ONG ...	without hub thread Thread "n"/dimension "f" (e.g., M4/10)" others on request	"see table Special processing, depending on the handwheel type, only if pin hole is "OS", only with hub material "VA" or "A"
tapered hub	F OAN	without twisted hub others on request	
position indicator	G PM PS	Position indicator mounted Separate position indicator	separate ordering of a position indicator required! separate ordering of a position indicator required!

#### ■ Order key



**Scope of delivery:**  
HG10



**Accessories you can find:**  
Analog position indicator S80/1  
Analog position indicator SZ80/1  
End plate AD

[www.siko-global.com](http://www.siko-global.com)  
[www.siko-global.com](http://www.siko-global.com)  
[www.siko-global.com](http://www.siko-global.com)