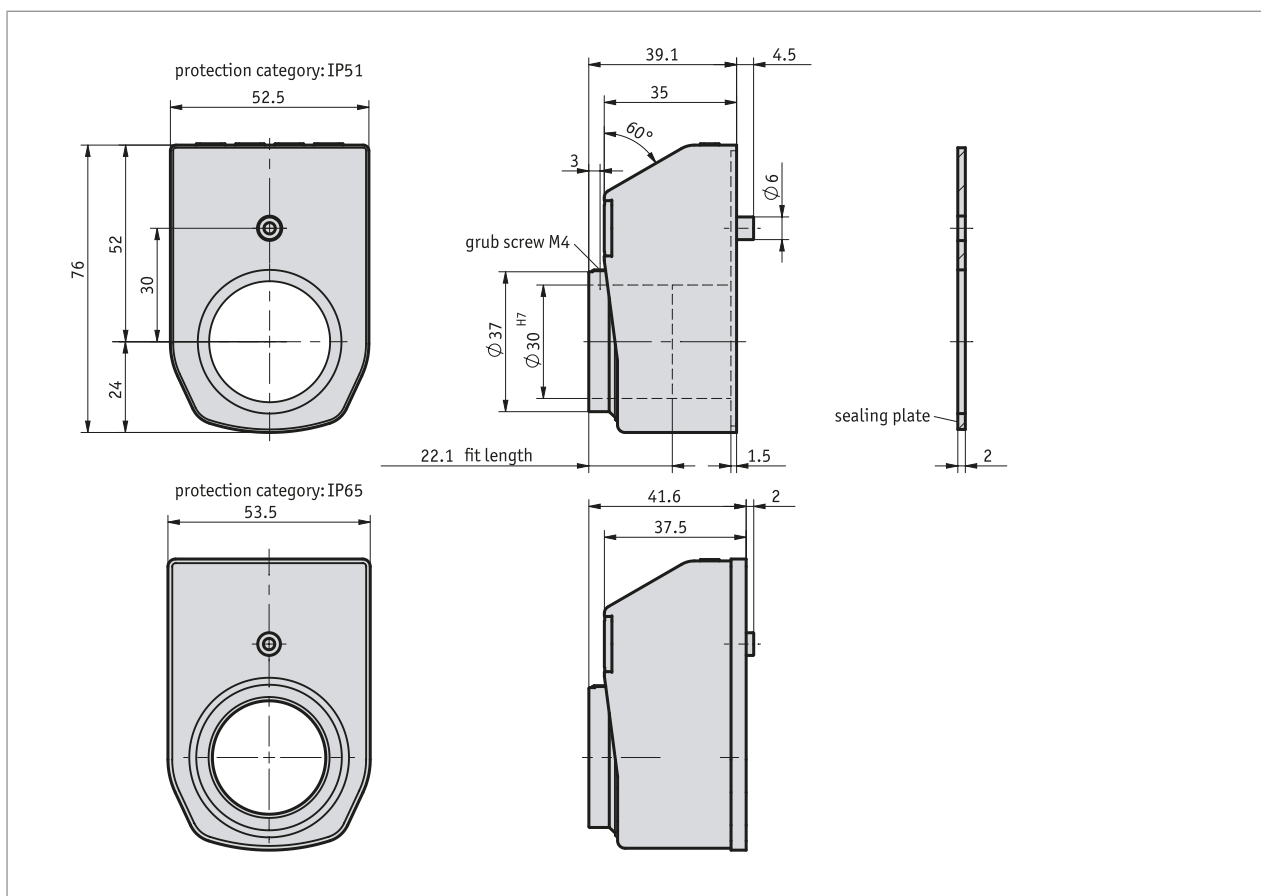


Profile

- Freely programmable directly via buttons on the device
- Hollow shaft, max. \varnothing 30 mm
- Stainless-steel hollow shaft
- LCD display with 6 digits and special characters
- Digit height approx. 11 mm
- Long battery life
- Easily replaceable batteries (standard AAA)
- Incremental measurement function, absolute value display
- High protection class



Mechanical data

Feature	Technical data	Additional information
shaft	stainless steel (supported in friction bearings)	($\leq \varnothing 30H7$)
Housing	plastic	
Speed	$\leq 600 \text{ min}^{-1}$	(100% duty cycle)
Weight	$\sim 0.13 \text{ kg}$	

Electrical data

Feature	Technical data	Additional information
Operating voltage	2x 1.5 V DC, >1000 mAh integrated battery compartment	2x AAA batteries, ~2-year service life replaceable by customer
Display/display range	6-digit LCD 7-segment, ~11 mm height	-99999 ... 999999

System data

Feature	Technical data	Additional information
System accuracy	±0.25 °	

Ambient conditions

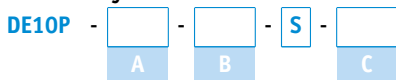
Feature	Technical data	Additional information
Ambient temperature	-10 ... 60 °C	
Storage temperature	-30 ... 80 °C	
Relative humidity		condensation inadmissible
EMC	EN 61000-6-2 EN 61000-6-4	interference resistance / immission emitted interference / emission
Protection category	IP51, IP65	EN 60529
Shock resistance	300 m/s ² , 15 ms	EN 60068-2-27
Vibration resistance	<100 m/s ² , 5 ... 150 Hz 200 m/s ² , 100 ... 2 kHz	EN 60068-2-6 EN 60068-2-6

Order

■ Ordering table

Feature	Ordering data	Spezifikation	Additional information
hollow shaft/diameter	A	30	ø30 mm
		20	ø20 mm
		...	RH12, RH14, RH25
			others on request
			reducing bushes
Color	B	0	orange RAL 2004
		S	black RAL 9005
Protection category	C	IP51	IP51
		IP65	IP65

■ Order key



 Scope of delivery: DE10P, Installation Instructions
 Accessories you can find: Adapter sleeve RH www.siko-global.com