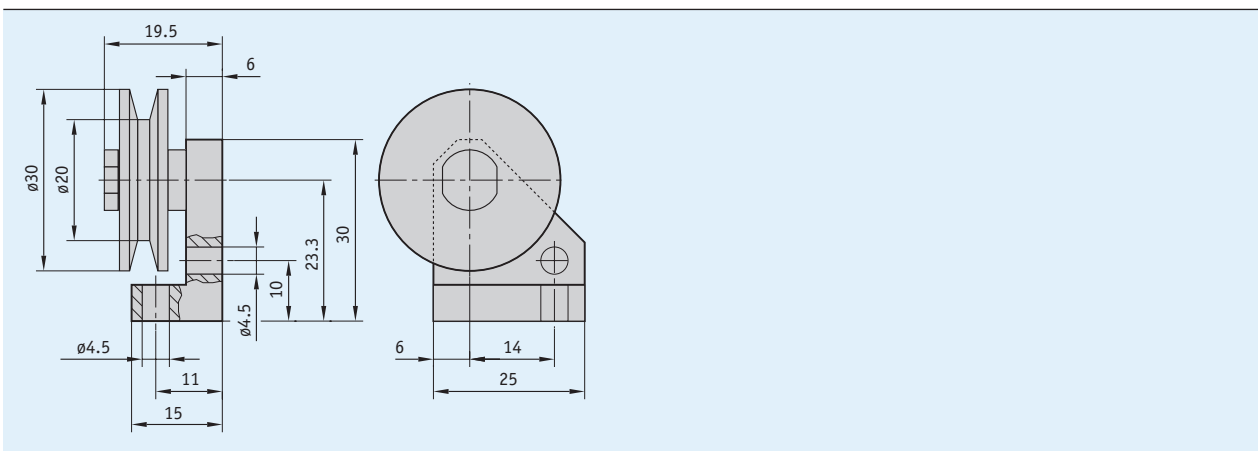


Profile

- For changing the measurement direction. Guide rollers are used when the wire-actuated encoder cannot be installed inline with the extension direction of the wire
- Several guide rollers can be combined



Mechanical data

| Feature | Technical data | Additional information |
|----------|---------------------|-------------------------|
| Material | plastic aluminum | roller accommodation |
| Weight | 0.025 kg | |

Order

- **Mounting example**
(See page 11)
- **Order key**
UR

Scope of delivery: UR