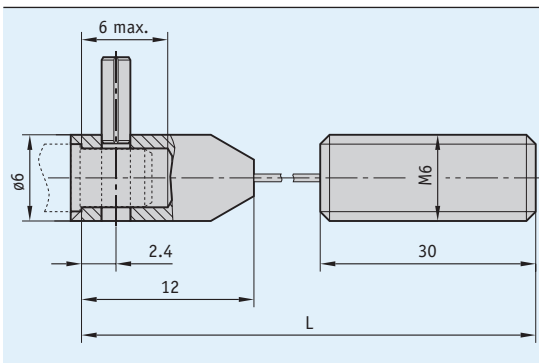


### Profile

- For extending the measurement wire or bridging the gap to the object to be measured. This does not extend the actual measurement range of the encoder, however
- Easy mounting



### Order

#### Ordering table

Feature	Ordering data	Specification	Additional information
Wire length	...	<b>A</b> 0.1 ... 20 m, in steps of 0.1 m	
Wire design	SK P	<b>B</b> steel rope, plastic-coated Para-line	

#### Order key



Scope of delivery: SV, User information