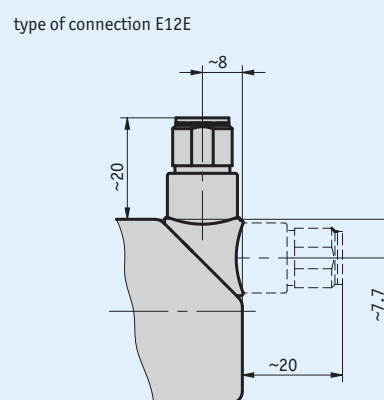
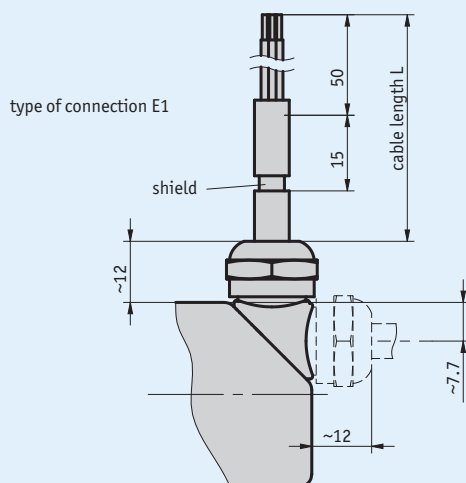
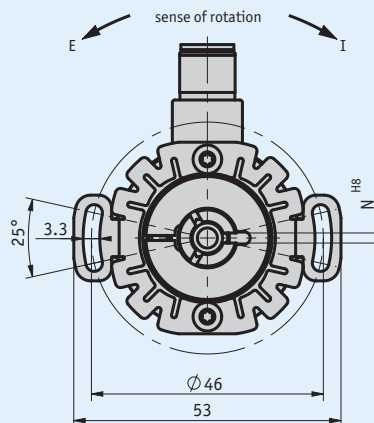
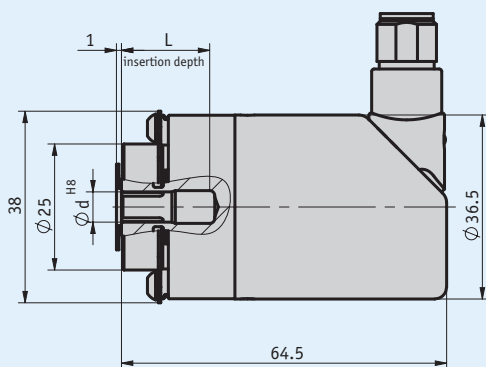
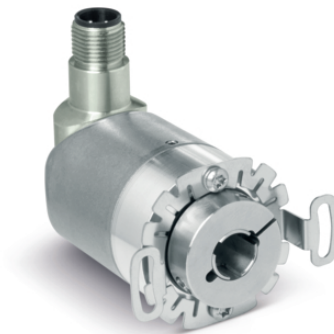


Profile

- CANopen (DS406) or SAE J1939 interface
- Extremely compact design with $\varnothing 36$ mm flange
- Single turn or multiturn variant available
- E1 approval by the German Federal Motor Transport Authority (KBA) pending
- Salt-spray resistant housing available
- With PURE.MOBILE technology



shaft design	$\varnothing d$	L	N
N2/6	6	≤ 18	2
N2/8	8	≤ 18	2
N3/10	10	≤ 20	3

Mechanical data

Feature	Technical data	Additional information
Shaft	rustproof stainless steel	
Flange	aluminum	
Housing	rustproof stainless steel	
Speed	≤3000 rpm	
Moment of inertia	<29 gcm ²	
Shaft load rating	≤40 N	radial
	≤20 N	axial

Electrical data

Feature	Technical data	Additional information
Operating voltage	8 ... 36 V DC	reverse-polarity protected
Power input	≤1 W	at 36 V, without load
Parameter storage	10 ⁵ cycles	also applies to calibration operations
Status display	1x two-color LEDs (red/green)	device / CAN status
Power rating	±36 V	CAN interface
Interface	according to ISO 11898-1, not electrically isolated	CANopen
	according to ISO 11898-1, not electrically isolated	SAE J1939
Address	1 ... 127	CANopen
	128 ... 238	SAE J1939
Baud rate	20 kbit/s	CANopen
	50 kbit/s	CANopen
	125 kbit/s	CANopen, SAE J1939
	250 kbit/s	CANopen, SAE J1939
	500 kbit/s	CANopen, SAE J1939
	800 kbit/s	CANopen
	1 Mbit/s	CANopen
Cycle time	<10 ms	
Starting time	<1000 ms	
Parameter	according to CiA 301, CiA 303 Part 3, CiA 305, CiA 406	CANopen
	according to SAE J1939-21, -71, -81, DA	SAE J1939
Type of connection	1x M12 connector (A-coded) open cable end	5-pole, 1x pin (E12E connection type) stranded wire cross-section 0.5 mm ² (E1 connection type)

System data

Feature	Technical data	Additional information
Scanning	magnetic	
Resolution	14 bit	singleturn, 16384 steps/rotation
Measuring range	1 rotation	singleturn
	4096 rotations	12 bit
	65536 rotations	16 bit

Ambient conditions

Feature	Technical data	Additional information
Ambient temperature	-40 ... +85 °C	
Storage temperature	-40 ... +85 °C	
Relative humidity	100 %	condensation permitted
EMC	EN 61326-1	industry immunity requirement, class B emission limit, shielded cable required
	EN 61000-6-2	interference resistance / immission
Protection category	IP67	EN 60529, installed according to assembly instructions and with suitable mating connector
Salt spray test	severity level 3	EN 60068-2-52

Pin assignment

E12E

Signal	PIN
nc	1
+UB	2
GND	3
CAN_H	4
CAN_L	5

E1

Signal	Cable color E1
nc	white
+UB	brown
GND	green
CAN_H	yellow
CAN_L	gray

Order

Ordering table

Feature	Ordering data	Specification	Additional information
Interface/protocol	CAN	CANopen	
	J1939	SAE J1939	
Number of revolutions	1	singleturn	
	4096	12 bit	
	65536	16 bit	
Hollow shaft/diameter	N2/6	ø6 mm, form-fit keyway	
	N2/8	ø8 mm, form-fit keyway	
	N3/10	ø10 mm, form-fit keyway	
Position of electrical connection	A	axial	
	R	radial	
Type of connection	E1	open cable end	
	E12E	bus IN	
Cable length	OK	without cable	only in type of connection type E12E
	...	01.0, 02.0, 03.0, 05.0, 10.0 in m	only in type of connection type E1

Order key

WH3600M - - 16384 - - - DS1 - IP67 - - - -

Scope of delivery: WH3600M, Quick Start Guide

Accessories:

Cable extension KV05S0

Mating Connector Overview

Mating connector, 5-pole, socket

Mating connector, 5-pole, angle socket

www.siko-global.com

www.siko-global.com

Order key 84109

Order key 83006