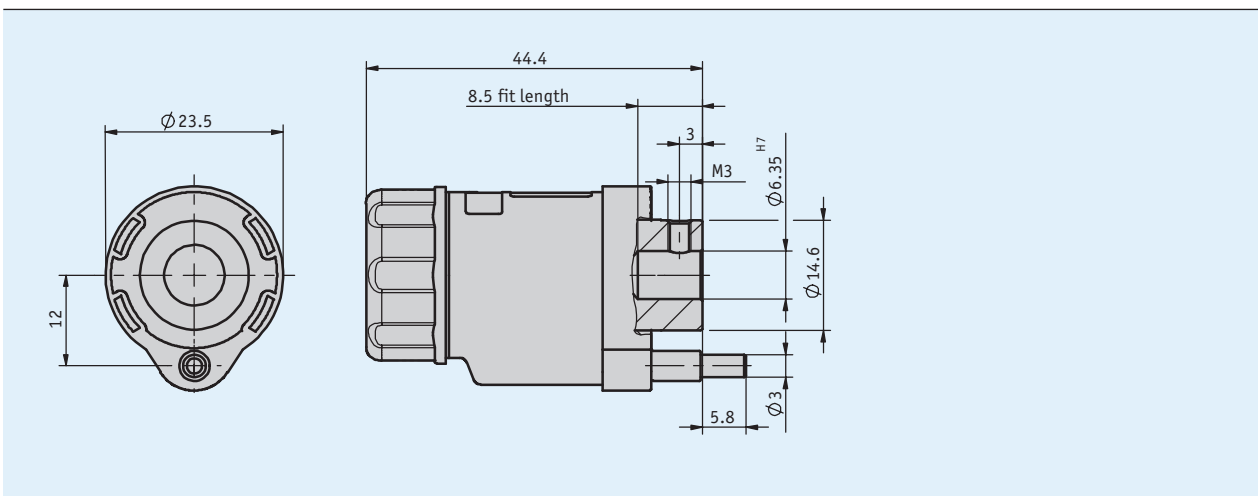


Profile

- Miniature rotaty knob with digital display
- Free choice of mounting situation
- Shaft support max. \varnothing 6.35 mm
- Measuring range of max. 100 revolutions



Mechanical data

Feature	Technical data	Additional information
Shaft	stainless steel	
Housing	plastic	
Weight	~0.02 kg	

System data

Feature	Technical data	Additional information
Measuring range	≤100 revolution(s)	

Ambient conditions

Feature	Technical data	Additional information
Ambient temperature	0 ... 80 °C	

Order

Ordering information

Display	Mounting position		Counting direction
<p>01F 010</p>	<p>02</p>	<p>04</p>	

Hint: Texts highlighted in orange color are ordering features

Ordering table

Feature	Ordering data	Specification	Additional information
Mounting position	02	horizontal spindle	
	04	vertical spindle	
Indication after 1st revolution	01F	with fine scaling	two-digit digital
	010	without fine scaling	three-digit digital
Decimal place	0	0 = 000	
	1	1 = 00.0	
	2	2 = 0.00	
Sense of rotation	i	clockwise ascending values	
	e	counter-clockwise ascending values	
Hollow shaft/diameter	6.35	ø6.35 mm	
	E	others on request	

Order key

DK04 - - - - -

A B C D E

Scope of delivery: DK04