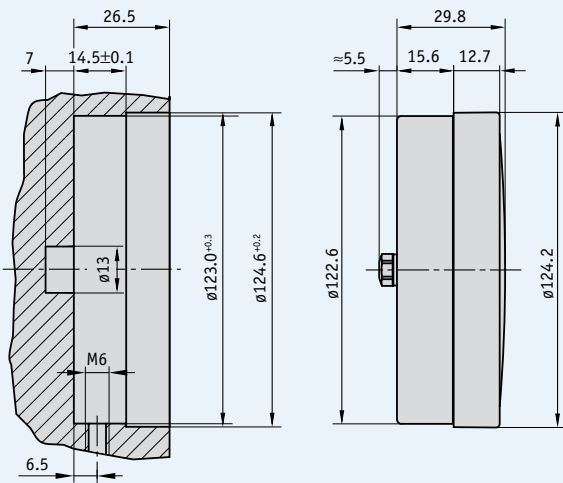


## Profile

- Analog position indicator
- Data logging based on the gravity principle
- High stability thanks to doubly supported pointer shaft
- Very robust, glass-fiber reinforced plastic housing
- Wide range of gear ratios
- Special scales, also for small numbers of pieces
- Dustproof, oil-filled or waterproof versions



## Mechanical data

Feature	Technical data	Additional information
Housing	plastic, reinforced	
Weight of versions N and W	0.2 kg	
Weight of version P	0.4 kg	

## Order

### Order table

Feature	Order data	Technical data	Additional information
Version	N	dustproof	standard
	P	oil-filled	
	W	waterproof	
Gear ratio	...	1, 2, 3, 6, 10, 12, 15, 18, 20, 24, 30, 36, 48, 50, 60, 72, 84, 96, 100, 120, 150, 200, 250, 300, 360, 500	
		others on request	
Sense of rotation = ascending values	i	clockwise	
	e	counter-clockwise	
Pointer	1	pointer with gear ratio	
	2	one pointer with gear ratio and one pointer running 1:1	
Zero setting	ON	without zero setting	
	MN	with zero setting	
Scale	N	normal scale	related to gear ratio
	VK	special scale	
Scale imprint	C1	one-color	
	C2	two-color	
	C3	three-color	

### Order code

S120/1 -  -  -  -  -  -  -

A      B      C      D      E      F      G

**Scope of delivery:** S120/1

**Accessories:**

Drawing aid for scales

Page 107

**Additional information:**

General information and areas of application

Page 62 cont.