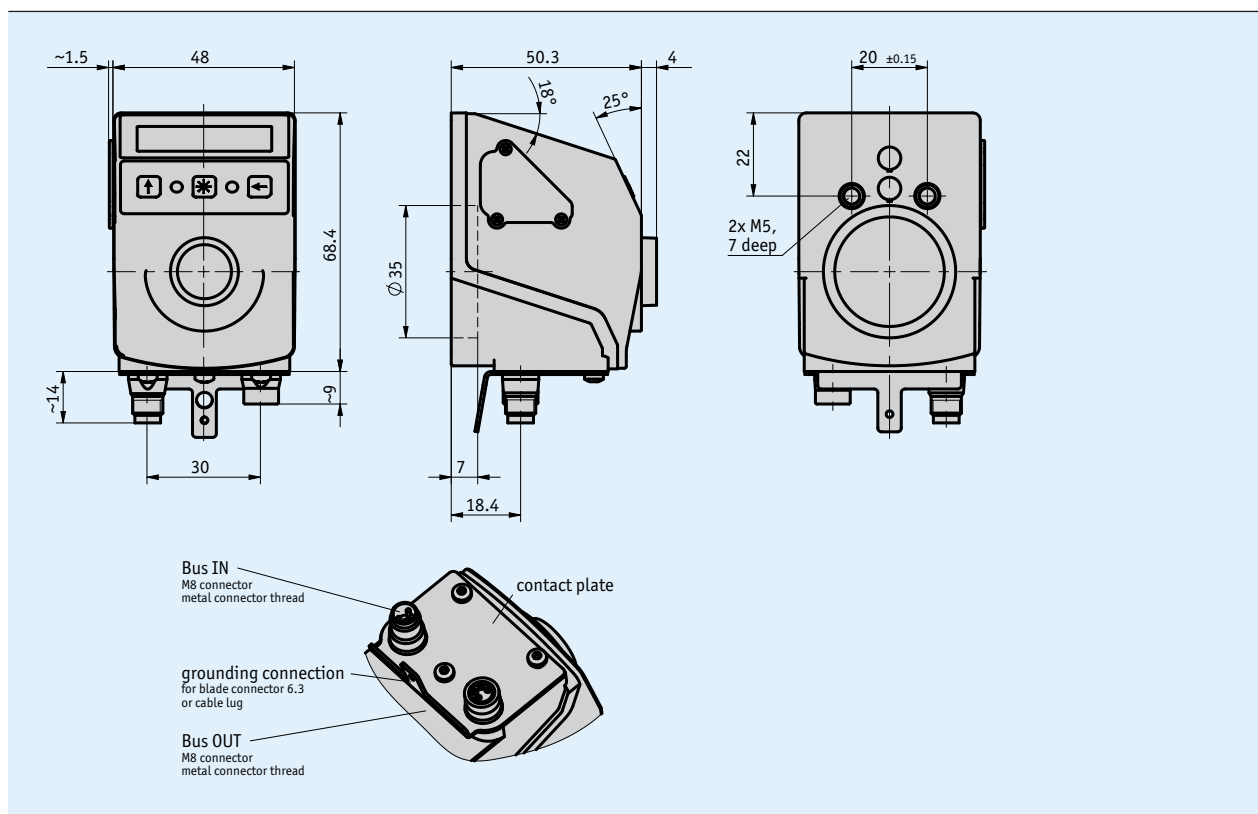


## Profile

- Setpoint display with bus interface without measurement of actual value
- Large control key to confirm target value
- Optimally readable backlit display
- Two-line LCD-Display
- Integrated RS485 interface, CAN bus as an option
- User guidance via bicolor status LEDs
- IP53 type of protection, IP65 as an option



## Mechanical data

Feature	Technical data	Additional information
Housing	reinforced plastic	plug thread, nickel-plated brass/cover, metal ground connection
Color	black, RAL 9005	
Weight	~0.09 kg	

## Electrical data

Feature	Technical data	Additional information
Operating voltage	24 V DC $\pm 20\%$	
Current consumption	$\sim 30$ mA	additional $\sim 3$ mA per LED when operated with LEDs
Power input	$\sim 0.72$ VA	Max. power supply of the power supply unit used: 100 VA. The power supply used corresponds to SELV/Limited Energy (IEC 61010-1) or SELV/LPS (IEC 60950-1) or Class 2 (UL 1310).
Parameter storage	$10^5$ cycles	also applies to calibration operations
Display/display range	6-digit LCD 14-segment, $\sim 8$ mm height	decimal points, 2 rows, (backlit LED red/white)
Status display	2x two-color LED (red/green)	acknowledgment status, configurable
Keys	acknowledgment, parameterization	
Bus connection	RS485; CANopen	no galvanic isolation
Type of connection	2x M8-plug connectors (A-coded) grounding via flat male tab 6.3 mm or terminal lug	4-pole, 1x socket, 1x pin

## System data

Feature	Technical data	Additional information
Approval	UL	UL 61010-1, File No. E503367

## Ambient conditions

Feature	Technical data	Additional information
Ambient temperature	0 ... 60 °C	
Storage temperature	-20 ... 80 °C	
Relative humidity		condensation inadmissible
EMC	EN 61326-1	Industry immunity requirement, class B emission limit
Safety regulations	DIN EN 61010-1 (VDE 0411-1), UL 61010-1	Limited power supply according to DIN EN 61010-1 Section 9.4. Protection class II Surge category II Pollution level 2
Protection category	IP53 IP65	EN 60529, only with mating connector (protection class not examined by UL) EN 60529, only with mating connector (protection class not examined by UL)
Shock resistance	500 m/s <sup>2</sup> , 11 ms	EN 60068-2-27
Vibration resistance	100 m/s <sup>2</sup> , 5 ... 150 Hz	EN 60068-2-6

## Pin assignment

### ■ Interfaces

RS485	CAN bus	PIN
TxRx-/DÜB	CANL	1
TxRx+/DÜA	CANH	2
+24 V DC	+24 V DC	3
GND	GND	4

## Order

### Ordering table

Feature	Ordering data	Specification	Additional information
Interface/protocol	S3/09	A	RS485/SIKONETZ5
	CAN	A	CANopen
Protection category	IP53	B	IP53
	IP65	B	IP65
Viewing window	SF	C	front foil
	K	C	plastic
			impact protection

### Order key



**Scope of delivery:** AP10T, Mounting instructions, Documentation on CD

#### Accessories:

- Cable extension KV04S1 [www.siko-global.com](http://www.siko-global.com)
- Mating Connector Overview [www.siko-global.com](http://www.siko-global.com)
- Mating connector, 4-pole, socket Order key 84209
- Mating connector, 4-pole, pin Order key 84210
- Bus terminating connector, 4-pole, pin Order key BAS-0005