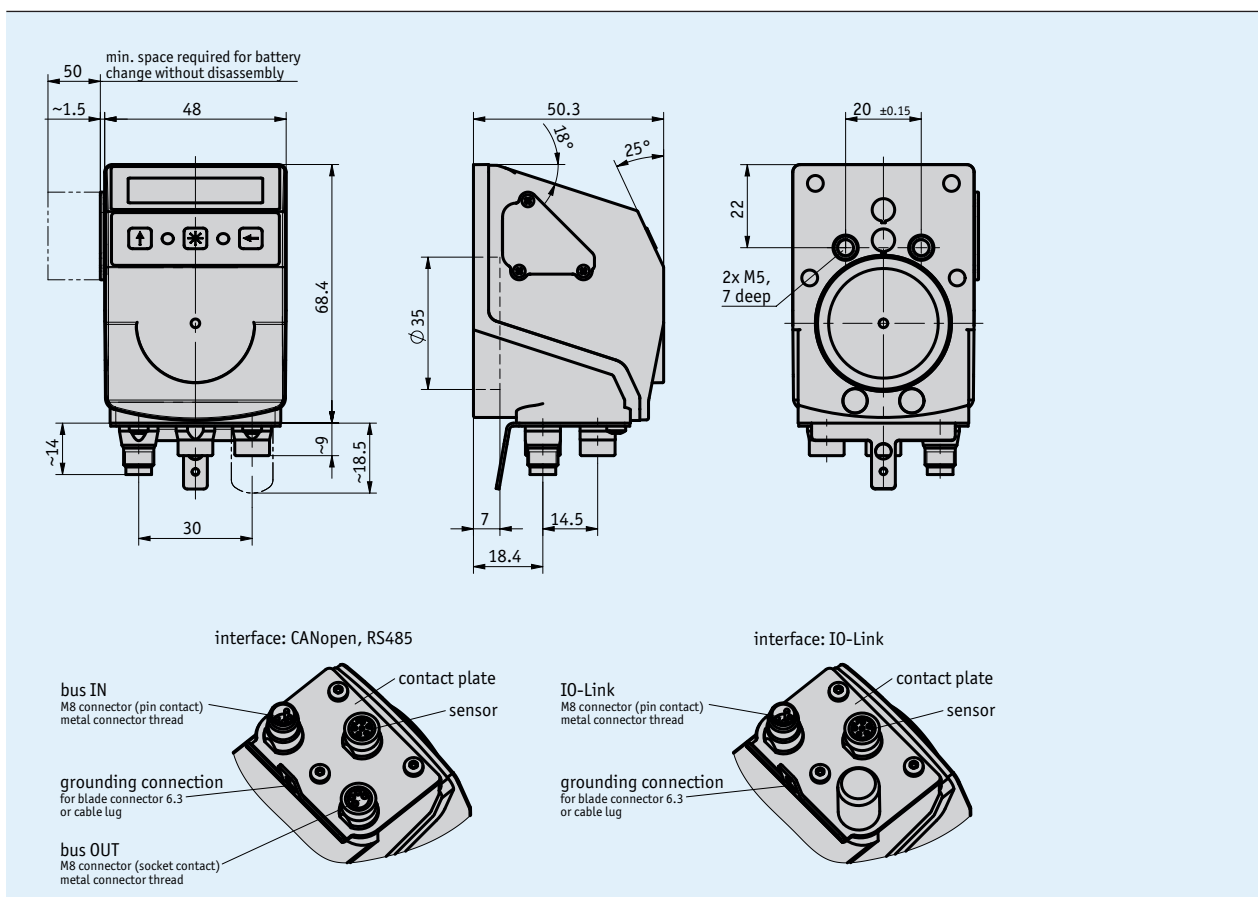


Profile

- Electronic position indicator with plug connection for magnetic sensor
- Optimally readable backlit display
- Two-line LCD for target and actual values
- Reset, incremental measurement, offset via keyboard
- Integrated RS485 interface, CAN bus or IO-Link as an option
- Display accuracy up to 0.01 mm
- Absolute function via internal backup
- User guidance via bicolor status LEDs
- IP53 type of protection, IP65 as an option



Mechanical data

Feature	Technical data	Additional information
Housing	reinforced plastic	plug thread, nickel-plated brass/cover, metal ground connection
Color	black, RAL 9005	
Weight	~0.11 kg	

Electrical data

Feature	Technical data	Additional information
Operating voltage	24 V DC $\pm 20\%$	
Current consumption	~ 30 mA	additional ~ 3 mA per LED when operated with LEDs
Power input	~ 0.72 VA	Max. power supply of the power supply unit used: 100 VA. The power supply used corresponds to SELV/Limited Energy (IEC 61010-1) or SELV/LPS (IEC 60950-1) or Class 2 (UL 1310).
Battery service life	~ 5 year(s)	
Parameter storage	10^5 cycles	also applies to calibration operations
Display/display range	6-digit LCD 14-segment, ~ 8 mm height	decimal points, 2 rows, special characters (backlit LED red/white)
Special character	cw arrow, ccw arrow, incremental measurement, battery	
Status display	2x two-color LED (red/green)	position status, configurable
Keys	incremental measurement function, parameterizing, resetting	
Interface	RS485; CANopen; IO Link	no galvanic isolation
Type of connection	2x M8-plug connectors (A-coded)	4-pin, 1x socket, 1x pin (RS485, CANopen)
	1x M8 connector (A-coded)	4-pin, 1x pin (IO-Link)
	1x M8 plug connector (A-coded)	6-pole, 1x socket (sensor)
	grounding via flat male tab 6.3 mm or terminal lug	

System data

Feature	Technical data	Additional information
Scanning	external sensor	
Resolution	720 increments/revolution	displayed value/rotation freely configurable (use with GS04)
	0.01 mm	use with MS500H
System accuracy	± 35 μm	use with MS500H
Measuring range	± 655 m	use with MS500H
	≤ 14562 revolution(s)	use with GS04
Approval	UL	UL 61010-1, File No. E503367

Ambient conditions

Feature	Technical data	Additional information
Ambient temperature	0 ... 60 °C	
Storage temperature	-20 ... 80 °C	
Relative humidity		condensation inadmissible
EMC	EN 61326-1	Industry immunity requirement, class B emission limit
Safety regulations	DIN EN 61010-1 (VDE 0411-1), UL 61010-1	Limited power supply according to DIN EN 61010-1 Section 9.4. Protection class II Surge category II Pollution level 2
Protection category	IP53	EN 60529, only with mating connector (protection class not examined by UL)
	IP65	EN 60529, only with mating connector (protection class not examined by UL)
Shock resistance	500 m/s ² , 11 ms	EN 60068-2-27
Vibration resistance	100 m/s ² , 5 ... 150 Hz	EN 60068-2-6

Pin assignment

■ Interfaces

RS485	CAN-Bus	IO-Link	PIN
TxRx-/DÜB	CANL	L+ (+UB)	1
TxRx+/DÜA	CANH	nc	2
+UB	+UB	L- (GND)	3
GND	GND	C/Q	4

Order

Ordering information

One or more system components are required:

Magnetic sensor MS500H PL
Hollow shaft sensor GS04

www.siko-global.com
www.siko-global.com

Ordering table

Feature	Ordering data	Specification	Additional information
Interface/protocol	CAN	CANopen	
	S3/09		
	IOL	IO-Link	
Protection category	IP53	IP53	
	IP65	IP65	
Viewing window	SF	front foil	impact protection
	K	plastic	

Order key

AP10S - A - B - EX - C - S

Scope of delivery: AP10S, Mounting instructions, Documentation on CD

Accessories:

Battery unit ZB1027 www.siko-global.com
 Cable extension KV04S1 www.siko-global.com
 Easy Touch Control ETC5000 www.siko-global.com
 Mating Connector Overview www.siko-global.com
 Mating connector, 4-pole, socket Order key 84209
 Mating connector, 4-pole, pin Order key 84210
 Bus terminating connector, 4-pole, pin Order key BAS-0005