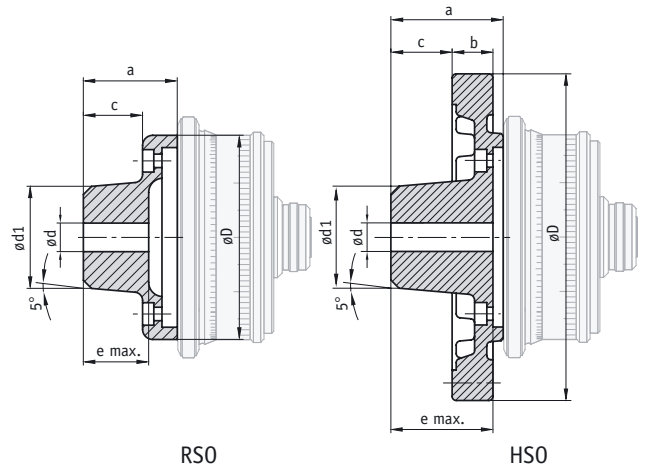


# Handwheel RSO / HSO 16

These handwheels are intended especially for use with the SO 100 position indicator



## Features:

- robust aluminium design

## Option:

- hub adaptation in various versions

Type	øD	ødv	ødx	ød1	a	b	c	e	GfG	Weight
HSO 16	160	7.8	35	50	55	20	30	50	M10	1.6 kg
RSO	100	7.8	35	50	46	./.	29	32		0.4 kg

dv = d pred-drilled; dx = d max.; GfG = thread for handle

Feature	Ordering data	HSO	RSO	Technical data	Additional information
Handwheel	HSO 16	•		see table above	
	RSO		•	see table above	
Handle bore	OG	•		without handle bore	
	M10	•		with handle bore or thread	
Bore ød	d pre-dr.	•	•	pre-drilled, s. table above, value ødv	standard
	...	•	•	d max. in mm steps (H7)	s. table above (smallest bore corresponding to d pre-dr.)
Key groove	OP	•	•	without key groove	standard
	JS9	•	•	transition fit	acc. to DIN 6885 T1
	P9	•	•	press fit	acc. to DIN 6885 T1
Pin hole (only without key groove)	OS	•	•	without pin hole	standard
	No. x ø/f	•	•	see fold-out page	no. of pinholes x diameter/dimension f, e.g. 2x3.8/12
or					
Hub thread	ONG	•	•	without hub thread	standard
	No x ø/f			see fold-out page	no. of hub threads x diameter/dimension f, e.g. 2xM4/12
Material		•	•	aluminium	
Colour		•	•	plastic coated, hammer finish, light grey	

Your ordering data: ...SO... - A - B - C - D - E - F