

# Spur gear sensor ZSK



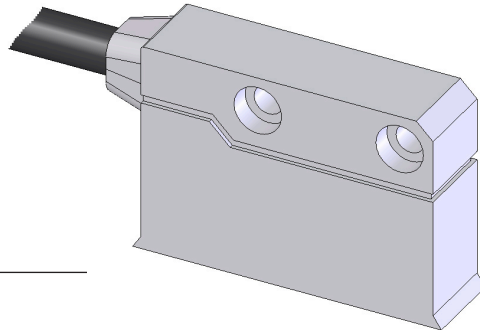
**SIKO GmbH**

**Address**  
Weihermattenweg 2  
79256 Buchenbach

**Telephone**  
+49 7661 394-0

**Fax**  
+49 7661 394-388

**eMail**  
info@siko.de  
**Internet**  
www.siko.de



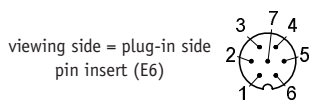
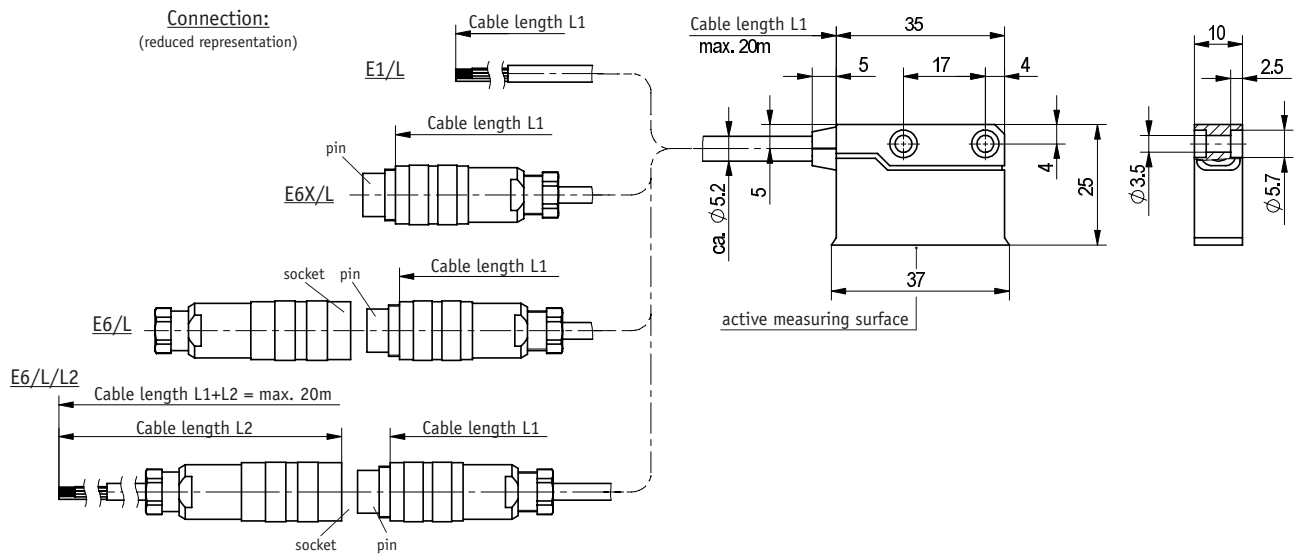
**Features:**

- suitable for rotation and position measurement
- sensor electronics fully encapsulated in the metal housing
- selectable scaling factor
- for spur gear with modules 0,5 or 1,0

Feature	Order text	Additional information
Module	1,0 <b>A</b>	standard
	0,5	
Operating voltage	10 <b>B</b> 6,5VDC ... 30VDC	
	11 4,75VDC ... 6VDC	
Design	AM <b>C</b>	
Connection	E1 <b>D</b>	
	E6X	
	E6	
Cable length L1 (in m)	... <b>E</b>	max. 20m
Cable length L2 (in m)	... <b>F</b>	L1 + L2 = max. 20m
Output circuit	PP <b>G</b> push pull	only operating voltage 11
	LD line driver	
Reference signal	0 <b>H</b> without	
Scale	10 <b>I</b> 1; 2; 4; 5; 8; 16; 20	standard

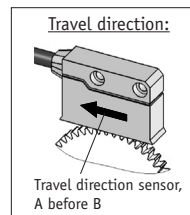
Your ordering:  -  -  -  -  -  -  -  -  -

# Spur gear sensor ZSK



Pin-/ cable assignment signals inverted

Signal	A	B	---	+UB	GND	/A	/B
E1	red	orange	---	brown	black	yellow	green
E6	1	2	3	4	5	6	7



## Technical data

### Mechanical data:

Housing	zinc/aluminium die casting
Sensor cable	PUR, drag chain-compatible

### Electrical data:

Power supply	6,5VDC ... 30VDC 4,75VDC ... 6VDC
Power consumption	max. 15mA @ 5VDC, without load max. 20mA @ 24VDC (PP), without load
Output signals	A; /A; B; /B
Realtime requirements	real-time signal processing
Interference protection class	EN61000-6-1 to 4
Test mark	CE

### Environmental conditions:

Working temperature	-20°C ... +70°C
Storage temperature	-30°C ... +80°C
Humidity	100% rF, condensation permitted
Type of protection	IP67

### System data:

Suitable	spur gear (ferromagnetic, min. width = 4mm)	
max. travel speed	25m/s	
Sensor/spur gear strip gap	0 ... 0,2mm for spur gear <100mm	(module 0,5)
	0 ... 0,3mm for spur gear >100mm	(module 0,5)
	0 ... 0,3mm for spur gear <100mm	(module 1,0)
	0 ... 0,5mm for spur gear >100mm	(module 1,0)

### Accessory

2x hexagon socket head cap screw	(ISO 4762-M3x14) separately enclosed
2x lock washer	(3 DIN 7980) separately enclosed

## Additional information