

# Adapter KA485ETC



**SIKO GmbH**

**Address**

Weiherrmattenweg 2  
79256 Buchenbach

**Telephone**

+49 7661 394-0

**Fax**

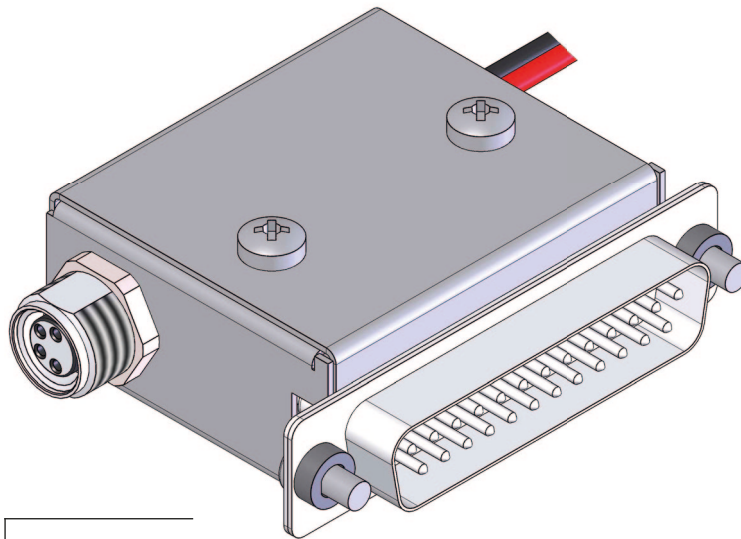
+49 7661 394-388

**eMail**

info@siko.de

**Internet**

www.siko.de



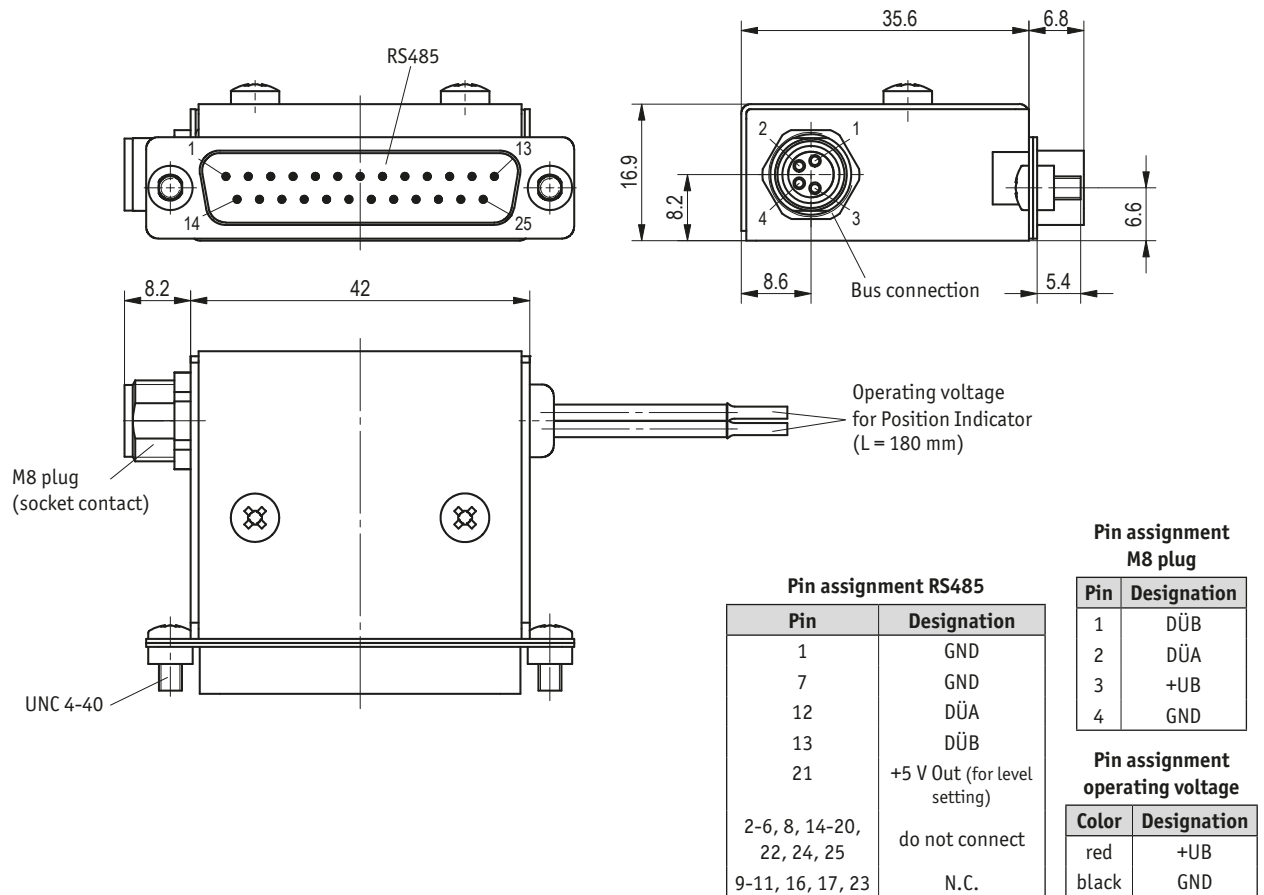
**Features:**

- Easy adaption to ETC5000 (25-pole DSUB pin)
- M8 socket (for bus connection)
- Integrated bus termination
- Supply of bus operating voltage for position indicators

Your ordering:

KA485ETC

# Adapter KA485ETC



**Technical Data**

**Additional information**

Mechanical Data:		
Housing	metal	
Electrical data:		
Operating voltage	24 V DC	Bus; 2 wire, infeed from ETC5000
Type of connection	25 pole D-Sub pin contact	RS485; to match ETC5000
	4 pole M8 socket contact	Bus; to match SIKONETZ5
Ambient conditions:		
Protection category	IP20	EN 60529
Accessory		
KV04S1	cable extension	
84210	mating connector, 4-pin plug	M8 can be shielded