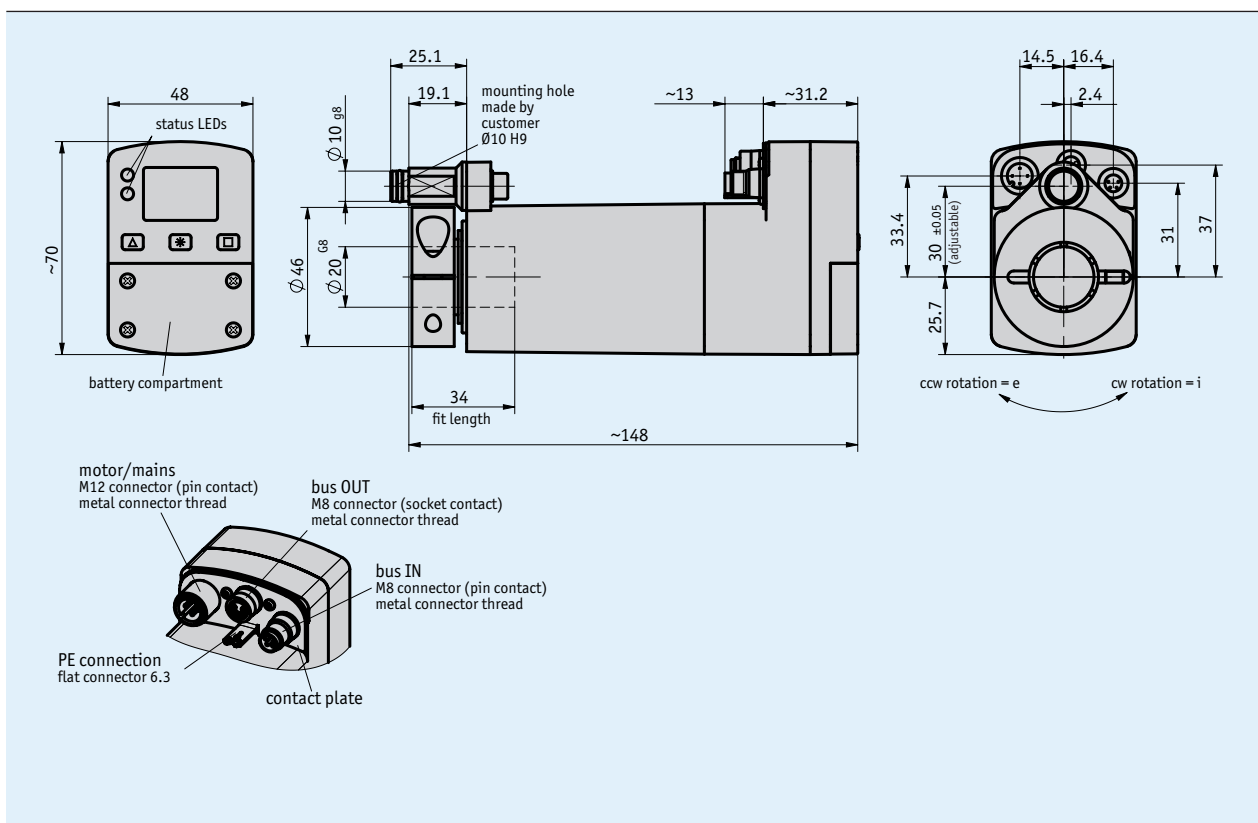
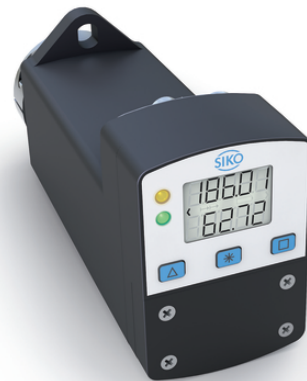


Profile

- easy mounting, no additional coupling needed
- stainless steel hollow shaft, glass fibre reinforced casing
- brushless 24 VDC motor with long service life
- solid absolute sensor, magnetic sensing technology
- 2-line LCD for target and position value and operating keys
- 2 LEDs for user guidance
- integrated RS485 or CANopen interface
- Integrated positioning controller
- M8 + M12 component mounting technology



Mechanical data

Feature	Technical data	Additional information
Shaft	stainless steel	
Housing	glass-fiber reinforced plastic	
Clamping ring	stainless steel	
Torque pin	stainless steel	
Nominal torque/rated speed	7 Nm at 30 rpm ±10 % 13 Nm at 15 rpm ±10 %	i = 188 i = 368 (14 Nm temporarily adm. break-away torque)
Operating mode	S3 intermittent duty: 25 % DC, 10 min.	EN 60034-1
Weight	~0.9 kg	

Electrical data

Feature	Technical data	Additional information
Operating voltage	24 V DC $\pm 10\%$	reverse polarity protected, output stage
	24 V DC $\pm 10\%$	reverse polarity protected, control
Current consumption	2.42 A	max. adm. at set point 100% (output stage)
Power input	~48 W	output stage
Battery	CR2477N, 3 V lithium, 950 mAh	
Battery service life	~5 year(s)	depending on environmental conditions
Rated current	2.2 A $\pm 10\%$	at max. adm. torque (output stage)
	<60 mA	at 24 V DC (control)
Display/display range	5-digit LCD 7-segment, ~7 mm height	decimal points, 2 rows, special characters
Special character	battery, direction arrows	
Status display	two LEDs	
Keys	parameterizing, resetting, inching, setpoint definition	
Bus connection	RS485; CANopen	no galvanic isolation
Type of connection	1x M12-plug connector (A-coded)	4-pole, 1x pin
	2x M8 plug connectors	4-pole, 1x socket, 1x pin
	grounding via flat connector 6.3 mm	

System data

Feature	Technical data	Additional information
Resolution	720 increments/revolution shaft	
Repeat accuracy	± 1 increment(s)	
Travel range	± 697 revolution(s)	i = 188
	± 356 revolution(s)	i = 368

Ambient conditions

Feature	Technical data	Additional information
Ambient temperature	0 ... 45 °C	
Storage temperature	-20 ... 60 °C	
Relative humidity		condensation inadmissible
EMC	EN 61800-3, second environment	interference resistance / immission
	EN 61800-3, C3	emitted interference / emission
Protection category	IP54, IP65	EN 60529, mating connectors mounted
Shock resistance	500 m/s ² , 11 ms	EN 60068-2-27
Vibration resistance	<100 m/s ² , 5 ... 150 Hz	EN 60068-2-6

Pin assignment

■ Operating voltage (A-coded)

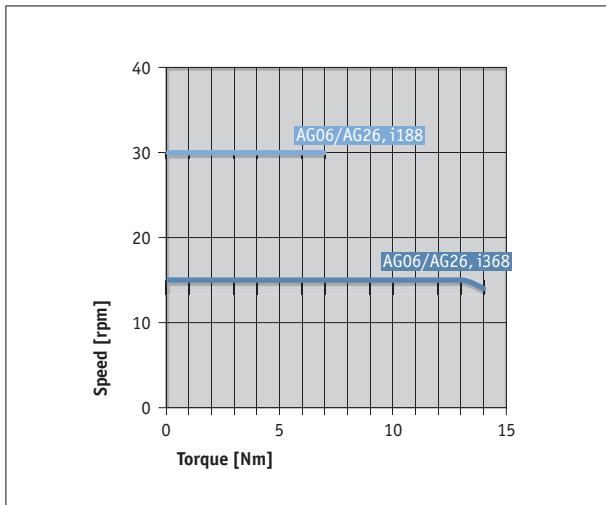
Signal	PIN
+24 V Output stage	1
+24 V Control	2
GND Output stage*	3
GND Control*	4

■ Interfaces M8

Signal	PIN
DÜB/TxRX-/CANL	1
DÜA/TxRX+/CANH	2
Do not connect!	3
SGND*	4

* internally linked

Performance curve



Order

Ordering table

Feature	Ordering data	Specification	Additional information
Gear ratio	188	i = 188	
	368	i = 368	
Protection category	IP54	IP54	
	IP65	IP65	
Shaft design/diameter	KR/20	clamping ring, ø20 mm	
		others on request	
Interface/protocol	S3/09	RS485/SIKONETZ5	
	CAN	CANopen	

Order key

AG06 Fieldbus - A - 50W - B - C - B - ABM - D - SW

Scope of delivery: AG06 Fieldbus, Mounting instructions, Documentation on CD

Accessories:

Cable extension KV04S1

www.siko-global.com

Cable extension KV04S2

www.siko-global.com

Easy Touch Control ETC5000

www.siko-global.com

Programming software ProTool DL

www.siko-global.com

Mating Connector Overview

www.siko-global.com

Mating connector, Fieldbus IN, 4-pole, socket

Order key 84209

Mating connector, Fieldbus OUT, 4-pole, pin

Order key 84210

Mating connector, voltage supply, 4-pole, angle socket

Order key 83091

bus terminating connector, Fieldbus, 4-pole, pin

Order key BAS-0005