

# Translation Module AEA111/1

This high-resolution module converts the position information of the magnetic sensor MSA111 into SSI + RS485 signals. In addition the module provides the analog 1Vss Sin/Cos signals for real time data interpretation.



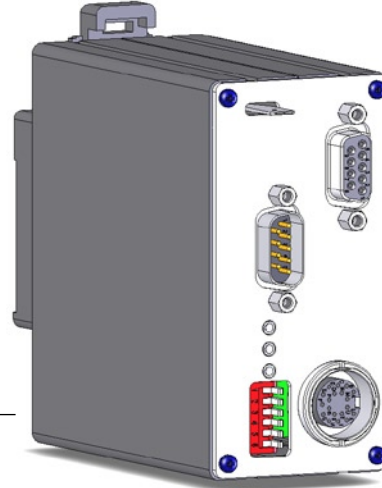
**SIKO GmbH**

**Address**  
Weihermattenweg 2  
79256 Buchenbach

**Telephone**  
+49 7661 394-0

**Fax**  
+49 7661 394-388

**eMail**  
info@siko.de  
**Internet**  
www.siko.de



**Features:**

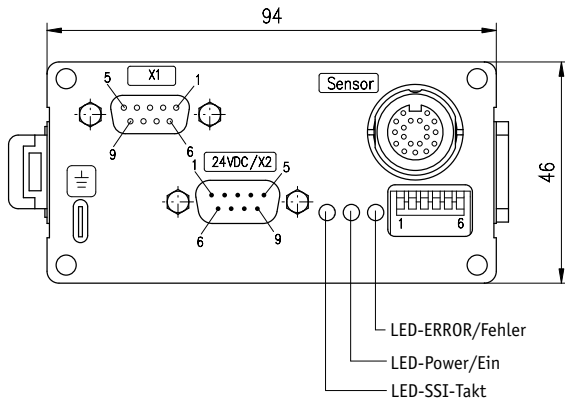
- snap-in module for easy mounting
- all connections are pluggable
- parameter programming via DIP switches
- SSI and RS485 interface
- possibility for external bus connection (Interbus, CAN-BUS, Profibus) with SIKO-IF09xx module.

Feature	Order text	Additional information
Interface	SSI <b>A</b>	standard
Output	1VSS <b>B</b> Sin/Cos	
Anschlussart	EA <b>C</b> EB	standard separate current supply
Software	S <b>D</b>	standard

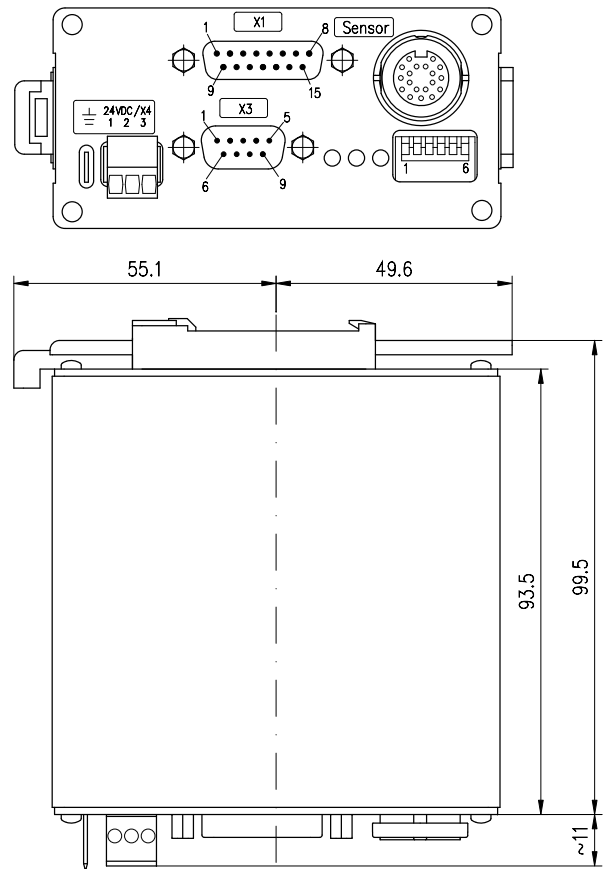
Your ordering:  -  -  -  -

# Translation Module AEA111

Pin connection EA



Pin connection EB



Pin connection EA

Pin connection output X1

Pin	Signal
1	sin +
2	sin -
3	cos +
4	cos -
5	Analog GND
6-9	---

Interface X2

Pin	Signal
1	+24VDC
2	SSI Takt +
3	RS485 DÜA
4	Konfig in
5	GND
6	SSI Daten +
7	SSI Takt -
8	RS485 DÜB
9	SSI Daten -

Pin connection EB

Pin connection output X1

Pin	Signal
1	---
2	SSI Takt +
3	RS485 DÜA
4	Ext_Config
5	GND
6	SSI Daten+
7	SSI Takt-
8	RS485 DÜB
9	SSI Daten-

operating voltage X4

Pin	Signal
1	+24VDC
2	GND
3	Ext_Config

Pin	Signal
1	GND
2	Ext_Config
3	sin-
4	cos-
5	Analog_GND
6	SSI Takt -
7	SSI Takt +
8	sin+
9	cos+
10	Digital_GND
11	Digital_GND
12	Analog_GND
13	SSI_Daten-
14	SSI_Daten-
15	SSI_Daten+

**Technical data**

**Mechanical data:**

Housing	aluminium	snap-in module for mounting on top-hat rails
---------	-----------	--

**Elektrical data:**

Power supply	24VDC ±20%	
Power consumption	< 250mA @24VDC	
Interface	SSI + RS485	data availability max. 100ms after applying the operating voltage
Realtime requirements	real-time signal processing	Sin/Cos output; cycle time for absolute value output < 2ms
Interference protection class	3	transient emissions accord to DIN EN 61000-6-4, noise immunity accord to DIN EN 61000-6-2
Test mark	CE	

**Environmental conditions:**

Operating temperature	0°C ... +60°C	
Storage temperature	-30°C ... +80°C	
Humidity	not permitted	
Type of protection	IP20	

**System data:**

Resolution SSI/RS485	max. 1µm	
Suitable magnetic sensor/tape	MSA111, MBA111	
Pole length	1mm	
Period length Sin/Cos output	1000µm	
Travel speed static operation	< 0.3m/s (SSI)	
Travel speed dynamic operation	< 10m/s (Sin/Cos)	
System accuracy	±10µm	
Repeat accuracy	max. ±2µm	
Measuring length	max. 4000mm	

**Additional information**