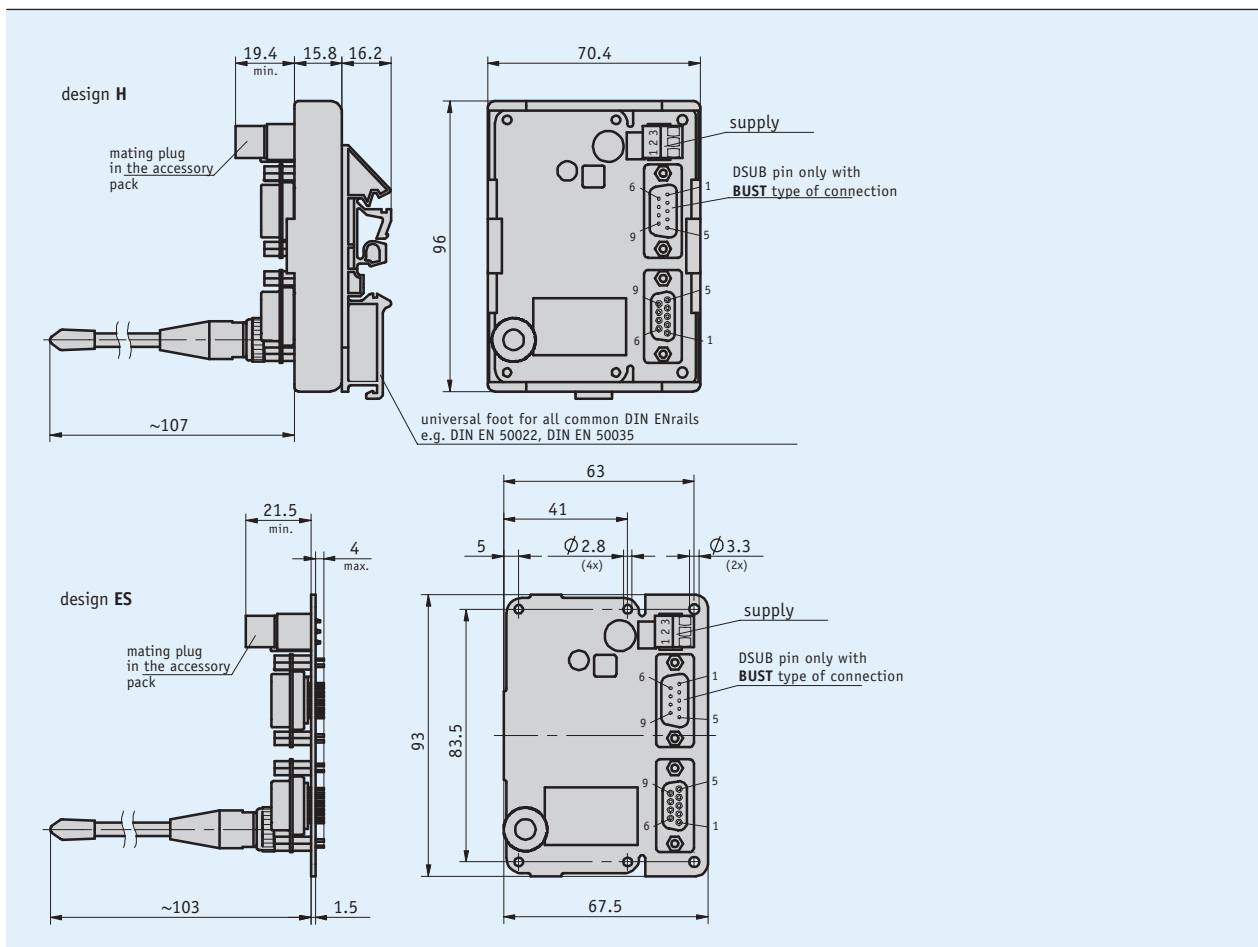


Profile

- Works with radio-based magnetic display MA503WL
- Mounting on top-hat rail or as an installation kit
- Pluggable BNC antenna
- 24 V DC supply
- RS232 or RS485 interface with ASCII-protocol



Mechanical data

Feature	Technical data	Additional information
Housing	plastic	snap module for top hat rail mounting

Electrical data

Feature	Technical data	Additional information
Operating voltage	24 V DC $\pm 20\%$	
Power input	<1 VA	
Receive sensitivity	-111 dBm	
Interface	RS232, RS485	
Radio frequency	868 ... 870 MHz 902 ... 928 MHz	USA
Type of connection	screw terminal D-Sub	3-pole (supply) 9-pole (signal output)

Ambient conditions

Feature	Technical data	Additional information
Ambient temperature	0 ... 60 °C	
Storage temperature	-20 ... 70 °C	
Relative humidity	<95 %	condensation inadmissible
EMC	EN 61000-6-2 EN 61000-6-4	interference resistance / immission emitted interference / emission
Protection category	IP40	

Pin assignment

■ Supply

Signal	PIN
+UB	1
GND	2
PE	3

■ RS232, 9-pole D-SUB

Signal	PIN
nc	1
TXD	2
RXD	3
nc	4
GND	5
nc	6
nc	7
nc	8
nc	9

■ RS485, 9-pole D-SUB

Signal	PIN
DÜB (D-)	1
nc	2
nc	3
DÜA (D+)	4
GND	5
nc	6
nc	7
nc	8
nc	9

Order

Ordering table

Feature	Ordering data	Specification	Additional information
Design	H	A DIN rail mounting installation kit	
	ES		
Type of connection	BU	B 9 poles, D-Sub socket 2 x 9 poles, D-Sub socket + pin	
	BUST		
Operating mode	TX	C send receive	
	RX		
Interface	RS232	D RS232 RS485	
	RS485		
Software	S	E standard bidirectional communication	
	SW03		
Radio frequency	869	F 869 MHz 915 MHz	
	915		USA

Order key

RTX500 - - - - - - - BNC -

A B C D E F

Scope of delivery: RTX500, Mounting instructions