

Travel speed

Resolution [μm]	Travel speed Vmax [m/s]					
	1	4.00	1.60	0.72	0.32	0.12
	5	8.00	8.00	3.60	1.60	0.62
	10	8.00	8.00	7.20	3.20	1.25
	12.5	8.00	8.00	8.00	4.00	1.60
Pulse interval [μs]		0.2	0.5	1.1	2.5	6.3
Counting frequency [kHz]		1250.00	500.00	230.00	100.00	40.00



L'électronique interne d'évaluation est capable de générer des impulsions de comptage dont la longueur est limitée par l'intervalle d'impulsions. L'électronique en aval doit être réglée en conséquence. Le cas échéant, sélectionner d'abord l'intervalle d'i

Electrical data

Feature	Technical data	Additional information
Operating voltage	24 V DC $\pm 20\%$	reverse polarity protected
Current consumption	<150 mA	
Battery service life	10 year(s)	at $T_{\text{U}} = 20\text{ }^{\circ}\text{C}$, according to manufacturer specification

System data

Feature	Technical data	Additional information
Resolution	5 μm or 10 μm	SSI, selectable via DIP switch
	$\leq 1\text{ }\mu\text{m}$	LD
	5 mm period length	1Vss
System accuracy	$\pm(0.025 + 0.01 \times L)$ mm, L in m	at $T_{\text{U}} = 20\text{ }^{\circ}\text{C}$ (L = length per meter or part thereof)
Repeat accuracy	± 1 increment(s)	(5 μm / 10 μm)
Measuring range	± 655000 mm	
Travel speed	5 m/s	SSI absolute value
	8 m/s	

Ambient conditions

Feature	Technical data	Additional information
Ambient temperature	0 ... 60 $^{\circ}\text{C}$	
Storage temperature	-20 ... 70 $^{\circ}\text{C}$	
Relative humidity	$\leq 95\%$	translation module, condensation inadmissible
	$\leq 100\%$	sensor, condensation admissible
EMC	EN 61000-6-2	interference resistance / immission
	EN 61000-6-4	emitted interference / emission
Protection category	IP20	EN 60529 (translation module)
	IP67	EN 60529 (sensor)

Pin assignment

■ Connector X1

SSI	PIN
nc	1
nc	2
+24 V DC	3
0 V	4
nc	5
nc	6
SSI_DATA	7
/SSI_DATA	8
nc	9
nc	10
nc	11
SSI_GND	12
nc	13
SSI_CLK	14
/SSI_CLK	15

■ Connector X3

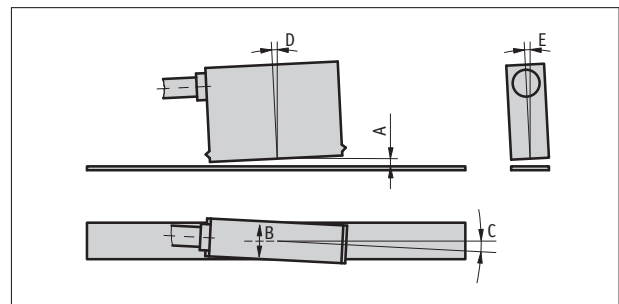
1 V _{SS}	PIN
sin	1
/sin	2
cos	3
nc	4
nc	5
nc	6
ANA_GND	7
/cos	8
nc	9

■ Connector X2

RS485	RS485 + LD	PIN
nc	A	1
nc	B	2
nc	nc	3
+24 V DC	+24 V DC	4
0 V	0 V	5
nc	/A	6
nc	/B	7
DÜA	DÜA	8
DÜB	DÜB	9

Hint for mounting

A, Sensor/tape reading distance	≤2 mm
B, Lateral offset	±1 mm
C, Alignment error	±3°
D, Longitudinal inclination	±2°
E, Lateral inclination	±2°



Symbolic representation

Order

■ **Ordering information**

one or more system components are required:

Magnetic band MB500/1

www.siko-global.com

■ **Ordering table**

Feature	Ordering data	Specification	Additional information
Cable length	... A	01.0 ... 06.0 m, in intervals of 1 m	
Digital interface	LD 0 B	Line Driver (RS422) without	
Digital resolution	... C	1, 10, 12.5, 5 in μm	
Pulse interval	... D	0.2, 0.5, 1.1, 2.5, 6.3 in μs	
Analog interface	1V _{SS} 2.2V _{SS} 0 E	1 V _{SS} 2.2 V _{SS} without	

■ **Order key**



Scope of delivery: ASA510H, User information, grounding material, Sensor fastening set

Accessories:

Mating Connector Overview

Mating connector, X3, 9-pole, pin+shell

Mating connector, X2, 9-pole, socket+shell

Mating connector, X1, 15-pole, socket+shell

www.siko-global.com

Order key 71364+71365

Order key 71366+71365

Order key 73947+73946